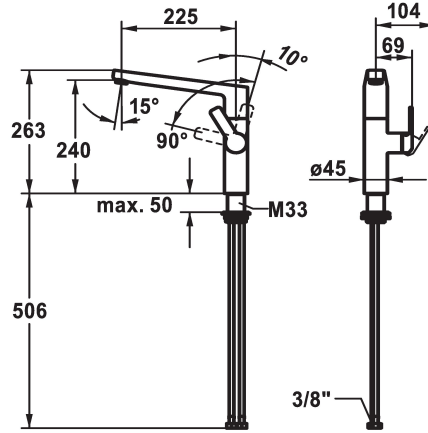


## KWC DOMO E Lever mixer - Kitchen

Modell-Linie: DOMO E | 10.701.013.700FL  
Taps | Manual taps



### KWC-No.

**124936**

stainless steel, A 225, flexible connection hoses

- \* Lever mixer
- \* Lever installation only possible on the right side
- Child safety: cold water flow in lever position towards the front
- \* gap between wall and centre of mounting hole min. 26 mm
- \* SwivelStop - swivel spout 360°, limitable to 150°
- Neoperl® Cascade® SLC
- \* OptimalSpace - ample space for washing or working
- \* KWC cartridge M 35 S

- with ceramic discs
- flow rate and temperature continuously variable
- temperature limitation
- \* Flexible connection hoses 3/8"
- \* QuickInstallation - Fastening via threaded connection with locking screws
- \* Mounting hole size ø35 mm

### Technical Data

|                        |                           |
|------------------------|---------------------------|
| Flow rate              | 11 l/min (3 bar)          |
| Connection             | Flexible connection hoses |
| Spout                  | swivel                    |
| Handling               | side lever                |
| Color_code             | stainless steel           |
| Installation_type      | Pillar installation       |
| Faucet_typ             | Lever mixer               |
| Dimension Height       | 263                       |
| G_Acoustic group       | I                         |
| Projection_A           | A 225                     |
| Energy Label           | B                         |
| Dimension Water outlet | 240                       |
| material               | stainless steel           |

|                        |                           |
|------------------------|---------------------------|
| Flow rate              | 11 l/min (3 bar)          |
| Connection             | Flexible connection hoses |
| Spout                  | swivel                    |
| Handling               | side lever                |
| Color_code             | stainless steel           |
| Installation_type      | Pillar installation       |
| Faucet_typ             | Lever mixer               |
| Dimension Height       | 263                       |
| G_Acoustic group       | I                         |
| Projection_A           | A 225                     |
| Energy Label           | B                         |
| Dimension Water outlet | 240                       |
| material               | stainless steel           |

