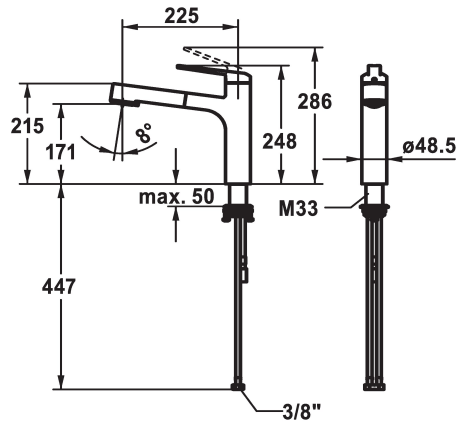


## KWC DOMO E Lever mixer - Kitchen

Modell-Linie: DOMO E | 10.701.033.700FL  
Taps | Manual taps



### KWC-No.

**124934**  
stainless steel, A 225, flexible connection hoses

- \* Lever mixer
- \* TouchProtect - anti-scald protection thanks to the "double skin" principle
- \* Intrinsicly safe against backflow
- \* Pull-out spray
  - SprayClean - easy to clean and actively prevents limescale buildup
  - up to 600 mm pull-out length
  - TripleClean - Normal, soft, and power stream modes
  - hose surface to fit faucet surface
  - QuickConnect - Simple hose connection system

- \* Hose guide, swivelling 120°
- \* EasyLock - a pull-out spray that easily slides back into place
- \* OptimalSpace - ample space for washing or working
- \* KWC cartridge M 35 S
  - with ceramic discs
  - flow rate and temperature continuously variable
  - temperature limitation
- \* Flexible connection hoses 3/8"
- \* QuickInstallation - Fastening via threaded connection with locking screws
- \* Mounting hole size 43.5 mm

### Technical Data

Flow rate needle spray
Flow rate normal spray
Connection
Spout
Handling
Kitchen_spray
Color_code
Installation_type
Faucet_typ
Dimension Height
G_Acoustic group
Projection_A
Energy Label
Dimension Water outlet
material

9 l/min (3 bar)
8 l/min (3 bar)
Flexible connection hoses
swivel
top lever
Pull-out spray
stainless steel
Pillar installation
Lever mixer
248
l
A 225
B
171
stainless steel

