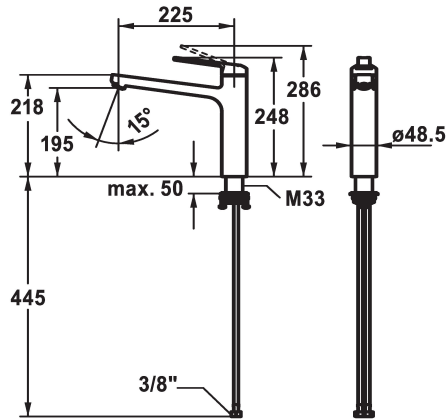


## KWC DOMO E Lever mixer - Kitchen

Modell-Linie: DOMO E | 10.701.023.700FL  
Kranar | Hydraulické armatúry



### KWC-No.

**124933**  
stainless steel, A 225, flexible connection hoses

- \* Lever mixer
- \* Swivel spout 150°
- Neoperl® Cascade® SLC
- \* OptimalSpace - ample space for washing or working
- \* KWC cartridge M 35 S
- with ceramic discs

- flow rate and temperature continuously variable
- temperature limitation
- \* Flexible connection hoses 3/8"
- \* QuickInstallation - Fastening via threaded connection with locking screws
- \* Mounting hole size  $\varnothing 35$  mm

### Technical Data

A_Spout_Spray
Connection
ATT-KWC-AUSLAUF
Handling
ATT-KWC-FARBCODE
Installation_type
Faucet_typ
Measure_Height
G_Acoustic_group
Projection_A
EnergyLabelCH
ATT-KWC-MASS-WASSERAUSTRITT
Material

12 l/min (3 bar)
Flexible_Anschlusschläuche
schwenkbar
topbedient
stainless steel
Standmontage
Hebelmischer
248
I
A225
B
195
ROSTFREIER_STAHL

