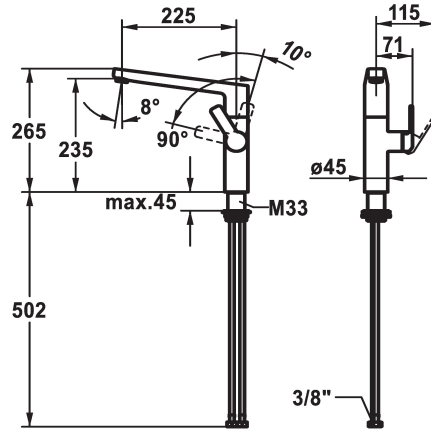


## KWC DOMO 6.0 Lever mixer - Kitchen

Modell-Linie: DOMO 6.0 | 10.661.013.000FL  
Taps | Manual taps



### KWC-No.

**124926**  
chromeline, A 225, flexible connection hoses

- \* Lever mixer
- \* Lever installation only possible on the right side
- Child safety: cold water flow in lever position towards the front
- \* gap between wall and centre of mounting hole min. 26 mm
- \* SwivelStop - swivel spout 150°, extensible to 360°
- Neoperl® Cascade® SLC
- \* OptimalSpace - ample space for washing or working
- \* KWC cartridge M 35 S
- with ceramic discs

- flow rate and temperature continuously variable
- temperature limitation
- \* Flexible connection hoses 3/8"
- \* QuickInstallation - Fastening via threaded connection with locking screws
- \* Mounting hole size ø35 mm
- \* To be ordered separately (optional or if necessary):
- Swivel range limited to 120° Z.538.320

### Technical Data

|                        |
|------------------------|
| Flow rate              |
| Connection             |
| Spout                  |
| Handling               |
| Color code             |
| Installation_type      |
| Faucet_typ             |
| Dimension Height       |
| G_Acoustic group       |
| Projection_A           |
| Energy Label           |
| Dimension Water outlet |
| material               |

|                           |
|---------------------------|
| 11 l/min (3 bar)          |
| Flexible connection hoses |
| swivel                    |
| side lever                |
| chrome                    |
| Pillar installation       |
| Lever mixer               |
| 265                       |
| I                         |
| A 225                     |
| B                         |
| 235                       |
| Brass                     |

