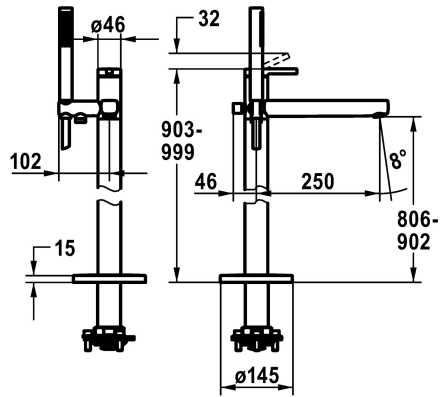


KWC AVA 2.0 Lever mixer - Tub

Modell-Linie: AVA 2.0 | 20.461.093.000
Showers | Exposed bath mixer



KWC-No.

124793
chromeline, A 250, with hand shower and hose

- * For freestanding tub
- * Integrated check valve in the hose outlet
- * with shower holder
- * Fixed spout
- Neoperl® Perlator® laminar
- * KWC cartridge M 35 OP
- with ceramic discs

- flow rate and temperature continuously variable
- temperature limitation
- * Scope of delivery:
- Hand shower KWC FIT-X slim 26.000.103.000
- Shower hose 1500 mm, metal Z.538.415.000
- * To be ordered separately:
- Unit for concealed installation 39.000.602.931

Technical Data

| |
|--------------------------------|
| Flow rate |
| Spray outlet: Flow rate |
| Shower_set |
| Handling |
| Color code |
| Installation_type |
| Faucet_typ |
| Dimension Height |
| G_Acoustic group |
| G_Acoustic group_Shower_outlet |
| Projection_A |
| Energy Label |
| Dimension Water outlet |
| material |

| |
|------------------------|
| 21 l/min (3 bar) |
| 12 l/min (3bar) |
| with shower head, hose |
| top lever |
| chrome |
| Freestanding |
| Lever mixer |
| 903-999 |
| II |
| I |
| A 250 |
| B |
| 806-902 |
| Brass |



Spare Parts

KWC AVA 2.0 Lever mixer - Tub

Modell-Linie: AVA 2.0 | 20.461.093.000
Showers | Exposed bath mixer



Cartridge M 35 OP

538331
Z.537.710



**Service key Neoperl © Caché ©, STD,
24 mm, grey**

635231
Z.635.231
