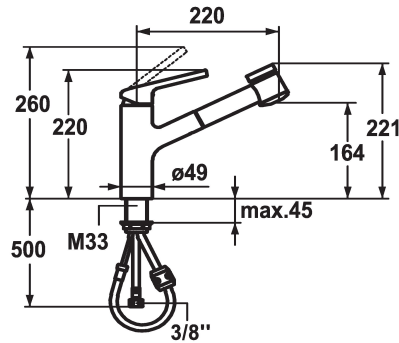


KWC LUNA E Lever mixer - Kitchen

Modell-Linie: LUNA E | 10.441.033.176FL
Taps | Manual taps



KWC-No.

123820
chromeline, A220

124751
matt black, A220

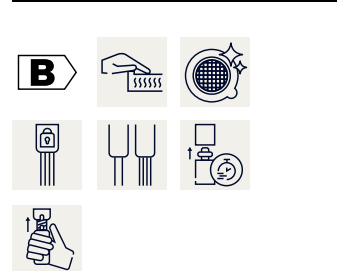
- * Lever mixer
- * TouchProtect - anti-scald protection thanks to the "double skin" principle
- * Pull-out spray
 - SprayClean - easy to clean and actively prevents limescale buildup
 - up to 600 mm pull-out length
 - SprayLock - lockable jet spray
 - PowerClean - needle spray mode, with automatic diverter reset

- QuickConnect - Simple hose connection system
- * Hose guide, swivelling 130°
- * EasyLock - a pull-out spray that easily slides back into place
- * KWC cartridge M 35
 - with ceramic discs
 - flow rate and temperature continuously variable
- * Flexible connection hoses 3/8"
- * Fastening by means of threaded sleeve M33 x 1.5
- * Mounting hole size ø35 mm

Technical Data

| |
|------------------------|
| Flow rate needle spray |
| Flow rate normal spray |
| Connection |
| Spout |
| Handling |
| Kitchen_spray |
| Color_code |
| Installation_type |
| Faucet_typ |
| Dimension Height |
| G_Acoustic_group |
| Projection_A |
| Energy Label |
| Dimension Water outlet |
| material |

| |
|---------------------------|
| 10 l/min (3 bar) |
| 10 l/min (3 bar) |
| Flexible connection hoses |
| swivel |
| top lever |
| Pull-out spray |
| matt black |
| Pillar installation |
| Lever mixer |
| 220 |
| I |
| A 220 |
| B |
| 164 |
| Brass |



Spare Parts

KWC LUNA E Lever mixer - Kitchen

Modell-Linie: LUNA E | 10.441.033.176FL
Taps | Manual taps



Cartridge M 35 H

538327
Z.537.582
