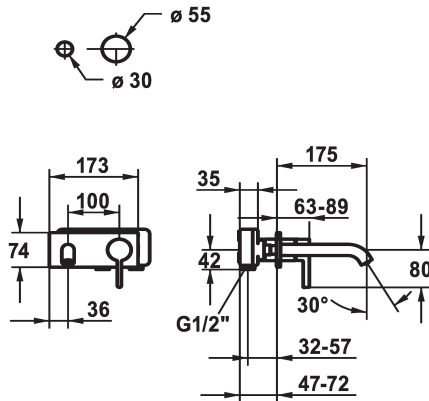
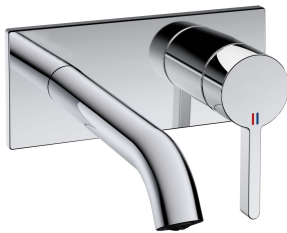


## KWC BEVO Trim kit - Lever mixer - Basin

Modell-Linie: BEVO | 11.422.033.000  
Taps | Manual taps



KWC-No.
<b>124619</b> chromeline, A 175, Trim kit
<b>124620</b> chromeline, A 225, Trim kit
<b>125022</b> matt black, A 175, Trim kit
<b>125023</b> matt black, A 225, Trim kit
<b>125049</b> brushed steel, A 175, Trim kit
<b>125050</b> brushed steel, A 225, Trim kit

Color code	Projection A
chromeline	A 175
chromeline	A 225
brushed steel	A 175
brushed steel	A 225

- \* Trim kit Lever mixer
- \* EcoProtect - water-saving device
- \* Fixed spout
- Neoperl® Caché® CS, Coin Slot
- \* OptimalSpace - ample space for washing or working
- \* KWC cartridge M 35 H

- with ceramic discs
- flow rate and temperature continuously variable
- \* To be ordered separately:
- Unit for concealed installation ½" 39.001.401.931
- \* To be ordered separately (optional or if necessary):
- Extension set 20 mm Z.536.333

Technical Data
Flow rate
Spout
Diameter
Handling
Color code
Installation type
Faucet_typ
Acoustic group
Concealed unit
Projection A
Energy label
material

5 l/min (3 bar)
fixed
173 x 74
front lever
chromeline
Wall mounted
Lever mixer
I
Trim kit
A 175
A
Brass



### Mandatory Accessories

## KWC BEVO

Trim kit - Lever mixer - Basin

Modell-Linie: BEVO | 11.422.033.000  
Taps | Manual taps



### Concealed unit

---

**124315**

39.001.401.931

---

### Spare Parts



### Cartridge M 35 H

---

**538327**

Z.537.582

---