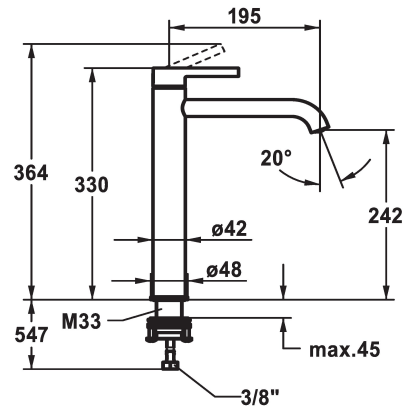


KWC BEVO Lever mixer - Basin

Modell-Linie: BEVO | 12.421.093.000FL
Kranar | Hydraulické armatúry



KWC-No.

124616
chromeline, A 195, flexible connection hoses, without pop-up valve

125021
matt black, A 195, flexible connection hoses, without pop-up valve

125048
brushed steel, A 195, flexible connection hoses, without pop-up valve

- * Lever mixer
- * For top-mounted basins
- * EcoProtect - water-saving device
- * Fixed spout
- Neoperl® Caché® CS, Coin Slot
- * OptimalSpace - ample space for washing or working
- * KWC cartridge M 35 OP

ATT-KWC-FARBCODE

chromeline

matt black

brushed steel

- with ceramic discs
- flow rate and temperature continuously variable
- temperature limitation
- * Flexible connection hoses 3/8"
- * QuickInstallation - Fastening via threaded connection with locking screws
- * Mounting hole size ø35 mm

Technical Data

A_Spout_Spray

ATT-KWC-ABLAUFGARNITUR

Connection

ATT-KWC-AUSLAUF

Handling

ATT-KWC-FARBCODE

Installation_type

Faucet_typ

Measure_Height

G_Acoustic_group

Projection_A

EnergyLabelCH

ATT-KWC-MASS-WASSERAUSTRITT

Material

5 l/min (3 bar)

ohne_Ablaufgarnitur

Flexible_Anschlusschläuche

fest

topbedient

chromeline

für Waschschüssel

Hebelmischer

330

l

A195

A

242

Mässing



Reservdelar

KWC BEVO Lever mixer - Basin

Modell-Linie: BEVO | 12.421.093.000FL
Kranar | Hydraulické armatury



Cartridge M 35 OP

538331
Z.537.710
