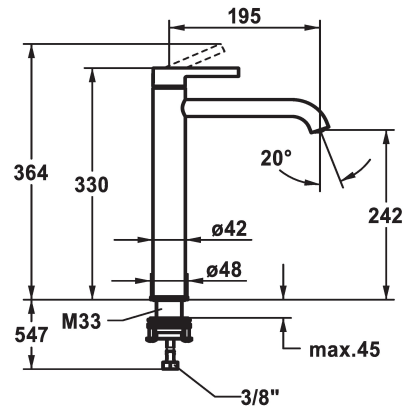


KWC BEVO Lever mixer - Basin

Modell-Linie: BEVO | 12.421.093.000FL
Taps | Manual taps



KWC-No.

124616
chromeline, A 195, flexible connection hoses, without pop-up valve

125021
matt black, A 195, flexible connection hoses, without pop-up valve

125048
brushed steel, A 195, flexible connection hoses, without pop-up valve

Color code

chromeline

matt black

brushed steel

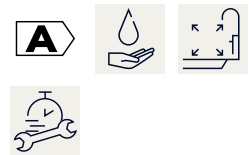
- * Lever mixer
- * For top-mounted basins
- * EcoProtect - water-saving device
- * Fixed spout
- Neoperl® Caché® CS, Coin Slot
- * OptimalSpace - ample space for washing or working
- * KWC cartridge M 35 OP

- with ceramic discs
- flow rate and temperature continuously variable
- temperature limitation
- * Flexible connection hoses 3/8"
- * QuickInstallation - Fastening via threaded connection with locking screws
- * Mounting hole size ø35 mm

Technical Data

Flow rate	5 l/min (3 bar)
pop-up valve	without pop-up valve
Connection	Flexible connection hoses
Spout	fixed
Handling	top lever
Color code	chromeline
Installation type	for top-mounted sinks
Faucet_typ	Lever mixer
Measure Height	330
Acoustic group	I
Projection A	A 195
Energy label	A
Dimension Water outlet	242
material	Brass

Flow rate	5 l/min (3 bar)
pop-up valve	without pop-up valve
Connection	Flexible connection hoses
Spout	fixed
Handling	top lever
Color code	chromeline
Installation type	for top-mounted sinks
Faucet_typ	Lever mixer
Measure Height	330
Acoustic group	I
Projection A	A 195
Energy label	A
Dimension Water outlet	242
material	Brass



Spare Parts

KWC BEVO
Lever mixer - Basin

Modell-Linie: BEVO | 12.421.093.000FL
Taps | Manual taps



Cartridge M 35 OP

538331
Z.537.710
