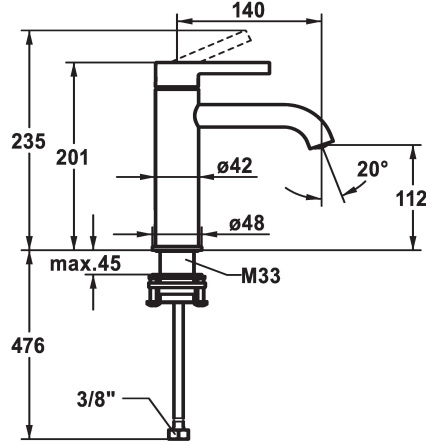


## KWC BEVO Lever mixer - Basin

Modell-Linie: BEVO | 12.421.052.000FL  
Taps | Manual taps



### KWC-No.

**124607**  
chromeline, A 140, flexible connection hoses, with pop-up valve

**124608**  
chromeline, A 140, flexible connection hoses, without pop-up valve

- \* Lever mixer
- \* EcoProtect - water-saving device
- \* Fixed spout
- Neoperl® Caché® CS, Coin Slot
- \* OptimalSpace - ample space for washing or working
- \* KWC cartridge M 35 OP
- with ceramic discs

### pop-up valve

with pop-up valve

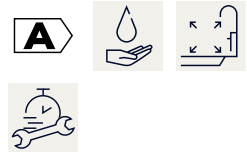
without pop-up valve

- flow rate and temperature continuously variable
- temperature limitation
- \* Flexible connection hoses 3/8"
- \* QuickInstallation - Fastening via threaded connection with locking screws
- \* Mounting hole size ø35 mm

### Technical Data

Flow rate
pop-up valve
Connection
Spout
Handling
Color code
Installation type
Faucet_typ
Measure Height
Acoustic group
Projection A
Energy label
Dimension Water outlet
material

5 l/min (3 bar)
without pop-up valve
Flexible connection hoses
fixed
top lever
chromeline
Pillar installation
Lever mixer
201
I
A 140
A
112
Brass



### Spare Parts

## KWC BEVO Lever mixer - Basin

Modell-Linie: BEVO | 12.421.052.000FL  
Taps | Manual taps



### Cartridge M 35 OP

---

**538331**  
Z.537.710

---