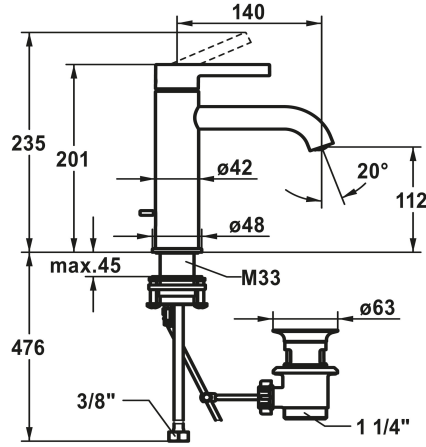


## KWC BEVO Lever mixer - Basin

Modell-Linie: BEVO | 12.421.042.000FL  
Taps | Manual taps



### KWC-No.

**124607**  
chromeline, A 140, flexible connection hoses, with pop-up valve

**124608**  
chromeline, A 140, flexible connection hoses, without pop-up valve

- \* Lever mixer
- \* EcoProtect - water-saving device
- \* Fixed spout
  - Neoperl® Caché® CS, Coin Slot
- \* OptimalSpace - ample space for washing or working
- \* KWC cartridge M 35 OP
  - with ceramic discs
  - flow rate and temperature continuously variable

### Pop-up\_valve

with pop-up valve

without pop-up valve

- temperature limitation
- \* Flexible connection hoses 3/8"
- \* QuickInstallation - Fastening via threaded connection with locking screws
- \* Mounting hole size ø35 mm
- \* Scope of delivery:
  - KWC pop-up valve Z.538.581.000

### Technical Data

Flow rate	5 l/min (3 bar)
Pop-up_valve	with pop-up valve
Connection	Flexible connection hoses
Spout	fixed
Handling	top lever
Color_code	chrome
Installation_type	Pillar installation
Faucet_typ	Lever mixer
Dimension Height	201
G_Acoustic group	I
Projection_A	A 140
Energy Label	A
Dimension Water outlet	112
material	Brass

Flow rate	5 l/min (3 bar)
Pop-up_valve	with pop-up valve
Connection	Flexible connection hoses
Spout	fixed
Handling	top lever
Color_code	chrome
Installation_type	Pillar installation
Faucet_typ	Lever mixer
Dimension Height	201
G_Acoustic group	I
Projection_A	A 140
Energy Label	A
Dimension Water outlet	112
material	Brass

