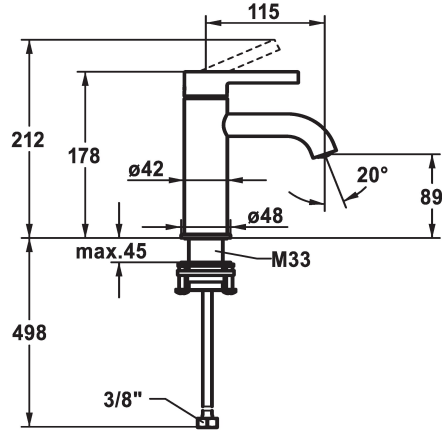


KWC BEVO Lever mixer - Basin

Modell-Linie: BEVO | 12.421.051.000FL
Taps | Manual taps



KWC-No.

124603
chromeline, A 115, flexible connection hoses, with pop-up valve

124604
chromeline, A 115, flexible connection hoses, without pop-up valve

- * Lever mixer
- * EcoProtect - water-saving device
- * Fixed spout
- Neoperl® Caché® CS, Coin Slot
- * KWC cartridge M 35 OP
- with ceramic discs

Pop-up_valve

with pop-up valve

without pop-up valve

- flow rate and temperature continuously variable
- temperature limitation
- * Flexible connection hoses 3/8"
- * QuickInstallation - Fastening via threaded connection with locking screws
- * Mounting hole size ø35 mm

Technical Data

Flow rate
Pop-up_valve
Connection
Spout
Handling
Color code
Installation_type
Faucet_typ
Dimension Height
G_Acoustic group
Projection_A
Energy Label
Dimension Water outlet
material

5 l/min (3 bar)
without pop-up valve
Flexible connection hoses
fixed
top lever
chrome
Pillar installation
Lever mixer
178
I
A 115
A
89
Brass



Spare Parts

KWC BEVO Lever mixer - Basin

Modell-Linie: BEVO | 12.421.051.000FL
Taps | Manual taps



Cartridge M 35 OP

538331
Z.537.710
