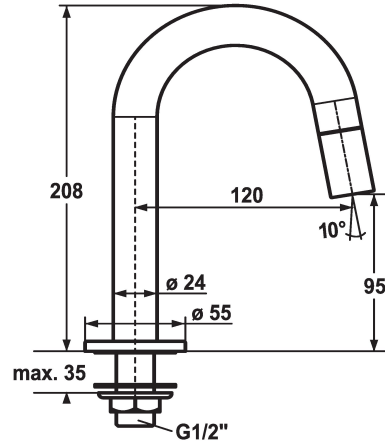


KWC STANDVENTIL Vertical shut-off valve

Modell-Linie: STANDVENTIL | 25.001.010.000
Taps | Manual taps



KWC-No.

124602
chromeline, A 120, G 1/2"

* Vertical shut-off valve
* Operating handle integrated into the spout
* Fixed spout
- Neoperl® Caché®

* Ceramic disc valve 1/2" 90°
* Connecting thread 1/2"
* Mounting hole size ø22mm or ø35mm

Technical Data

Flow rate
Connection
Handling
Color code
Installation type
Faucet_typ
Design
Dimension Height
Acoustic group
Projection A
Energy label

4 l/min (3 bar)
G 1/2"
front lever
chromeline
Pillar installation
Vertical shut-off valve
J-Spout
208
I
A 120
A



Spare Parts



Service key Neoperl © Caché ©, JR, 21 mm, red



KWC STANDVENTIL
Vertical shut-off valve

Modell-Linie: STANDVENTIL | 25.001.010.000
Taps | Manual taps

639017
Z.635.215
