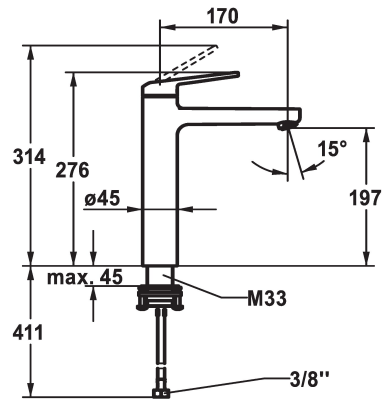


## KWC DOMO 6.0 Lever mixer - Basin

Modell-Linie: DOMO 6.0 | 12.668.373.000FL  
Kranar | Hydraulické armatúry



### KWC-No.

**124567**

chromeline, A 170, flexible connection hoses, without pop-up valve

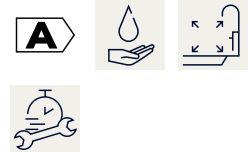
- \* Lever mixer
- \* For top-mounted basins
- \* EcoProtect - water-saving device
- \* Fixed spout
- Neoperl® Cascade® SLC
- \* OptimalSpace - ample space for washing or working
- \* KWC cartridge M 35 OP

- with ceramic discs
- flow rate and temperature continuously variable
- temperature limitation
- \* Flexible connection hoses 3/8"
- \* QuickInstallation - Fastening via threaded connection with locking screws
- \* Mounting hole size ø35 mm

### Technical Data

A_Spout_Spray
ATT-KWC-ABLAUFGARNITUR
Connection
Handling
ATT-KWC-FARBCODE
Installation_type
Faucet_typ
Measure_Height
G_Acoustic group
Projection_A
EnergyLabelCH
ATT-KWC-MASS-WASSERAUSTRITT
Material

4 l/min (3 bar)
ohne_Ablaufgarnitur
Flexible_Anschlusschläuche
topbedient
chromeline
für Waschschüssel
Hebelmischer
276
I
A170
A
197
Mässing



### Reservdelar





**KWC** DOMO 6.0  
Lever mixer - Basin

**Modell-Linie: DOMO 6.0 | 12.668.373.000FL**  
Kranar | Hydraulické armatury

**Cartridge M 35 OP**

---

**538331**  
Z.537.710

---