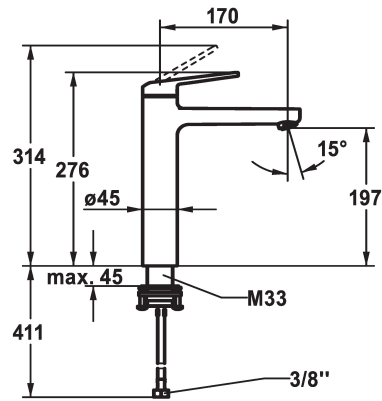


## KWC DOMO 6.0 Lever mixer - Basin

Modell-Linie: DOMO 6.0 | 12.668.373.000FL  
Taps | Manual taps



### KWC-No.

**124567**

chromeline, A 170, flexible connection hoses, without pop-up valve

- \* Lever mixer
- \* For top-mounted basins
- \* EcoProtect - water-saving device
- \* Fixed spout
- Neoperl® Cascade® SLC
- \* OptimalSpace - ample space for washing or working
- \* KWC cartridge M 35 OP

- with ceramic discs
- flow rate and temperature continuously variable
- temperature limitation
- \* Flexible connection hoses 3/8"
- \* QuickInstallation - Fastening via threaded connection with locking screws
- \* Mounting hole size ø35 mm

### Technical Data

Flow rate
pop-up assembly
Connection
Handling
Color code
Installation type
Faucet_typ
Dimension Height
Acoustic group
Projection A
Energy label
Dimension Water outlet
material

4 l/min (3 bar)
without pop-up valve
Flexible connection hoses
top lever
chromeline
for top-mounted sinks
Lever mixer
276
I
A 170
A
197
Brass



### Spare Parts





**KWC** DOMO 6.0  
Lever mixer - Basin

**Modell-Linie: DOMO 6.0 | 12.668.373.000FL**  
Taps | Manual taps

**Cartridge M 35 OP**

---

**538331**  
Z.537.710

---