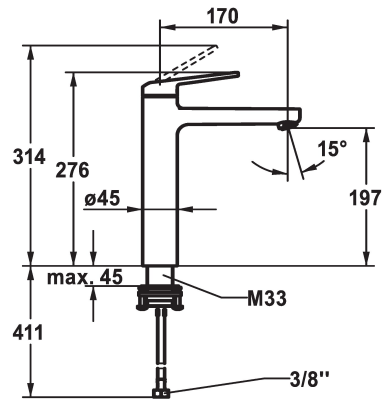


KWC DOMO 6.0 Lever mixer - Basin

Modell-Linie: DOMO 6.0 | 12.668.373.000FL
Taps | Manual taps



KWC-No.

124567
chromeline, A 170, flexible connection hoses, without pop-up valve

- * Lever mixer
- * For top-mounted basins
- * EcoProtect - water-saving device
- * Fixed spout
- Neoperl® Cascade® SLC
- * OptimalSpace - ample space for washing or working
- * KWC cartridge M 35 OP

- with ceramic discs
- flow rate and temperature continuously variable
- temperature limitation
- * Flexible connection hoses 3/8"
- * QuickInstallation - Fastening via threaded connection with locking screws
- * Mounting hole size ø35 mm

Technical Data

Flow rate	4 l/min (3 bar)
Pop-up_valve	without pop-up valve
Connection	Flexible connection hoses
Handling	top lever
Color code	chrome
Installation_type	for top-mounted sinks
Faucet_typ	Lever mixer
Dimension Height	276
G_Acoustic group	I
Projection_A	A 170
Energy Label	A
Dimension Water outlet	197
material	Brass



Spare Parts





KWC DOMO 6.0
Lever mixer - Basin

Modell-Linie: DOMO 6.0 | 12.668.373.000FL
Taps | Manual taps

Cartridge M 35 OP

538331
Z.537.710
