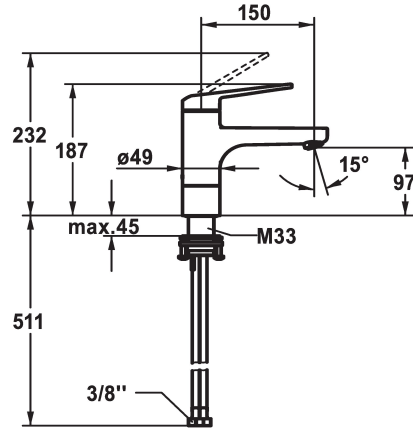


KWC DOMO 6.0

Lever mixer - Basin - Low pressure

Modell-Linie: DOMO 6.0 | 12.665.021.000FL

Taps | Manual taps



KWC-No.

124564

chromeline, A 150, flexible connection hoses, with pop-up valve

124565

chromeline, A 150, flexible connection hoses, without pop-up valve

- * Lever mixer
- * EcoProtect - water-saving device
- * Swivel spout 90°
- Jet regulator
- * OptimalSpace - ample space for washing or working
- * KWC cartridge M 35 S
- with ceramic discs

pop-up valve

with pop-up valve

without pop-up valve

- flow rate and temperature continuously variable
- temperature limitation
- * Flexible connection hoses 3/8"
- * QuickInstallation - Fastening via threaded connection with locking screws
- * Mounting hole size ø35 mm

Technical Data

pop-up valve
Connection
Spout
Handling
Color code
Installation type
Faucet_typ
Measure Height
Energysaving
Acoustic group
Projection A
Energy label
Dimension Water outlet
material

without pop-up valve
Flexible connection hoses
swivel
top lever
chromeline
Pillar installation
Lever mixer
187
low pressure
I
A 150
A
97
Brass

