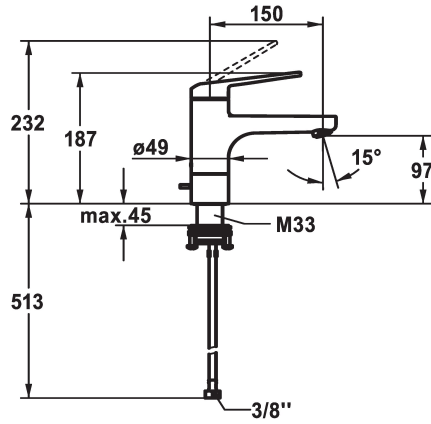


KWC DOMO 6.0 Lever mixer - Basin

Modell-Linie: **DOMO 6.0** | 12.668.021.000FL
Taps | Manual taps



KWC-No.

124561
chromeline, A 150, flexible connection hoses, with pop-up valve

124562
chromeline, A 150, flexible connection hoses, without pop-up valve

- * Lever mixer
- * EcoProtect - water-saving device
- * Swivel spout 90°
- Neoperl® Cascade® SLC
- * OptimalSpace - ample space for washing or working
- * KWC cartridge M 35 S
- with ceramic discs

pop-up valve

with pop-up valve

without pop-up valve

- flow rate and temperature continuously variable
- temperature limitation
- * Flexible connection hoses 3/8"
- * QuickInstallation - Fastening via threaded connection with locking screws
- * Mounting hole size ø35 mm

Technical Data

| |
|------------------------|
| Flow rate |
| pop-up valve |
| Connection |
| Spout |
| Handling |
| Color code |
| Installation type |
| Faucet_typ |
| Measure Height |
| Acoustic group |
| Projection A |
| Energy label |
| Dimension Water outlet |
| material |

| |
|---------------------------|
| 5 l/min (3 bar) |
| without pop-up valve |
| Flexible connection hoses |
| swivel |
| top lever |
| chromeline |
| Pillar installation |
| Lever mixer |
| 187 |
| I |
| A 150 |
| A |
| 97 |
| Brass |

