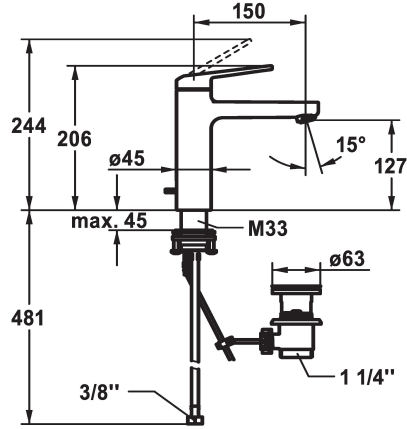


## KWC DOMO 6.0 Lever mixer - Basin

Modell-Linie: DOMO 6.0 | 12.668.042.000FL  
Taps | Manual taps



### KWC-No.

**124552**  
chromeline, A 150, flexible connection hoses, with pop-up valve

**124553**  
chromeline, A 150, flexible connection hoses, without pop-up valve

- \* Lever mixer
- \* EcoProtect - water-saving device
- \* Fixed spout
  - Neoperl® Cascade® SLC
- \* OptimalSpace - ample space for washing or working
- \* KWC cartridge M 35 OP
  - with ceramic discs
  - flow rate and temperature continuously variable

### Pop-up\_valve

with pop-up valve

without pop-up valve

- temperature limitation
- \* Flexible connection hoses 3/8"
- \* QuickInstallation - Fastening via threaded connection with locking screws
- \* Mounting hole size ø35 mm
- \* Scope of delivery:
  - KWC pop-up valve Z.538.581.000

### Technical Data

Flow rate
Pop-up_valve
Connection
Spout
Handling
Color code
Installation_type
Faucet_typ
Dimension Height
G_Acoustic group
Projection_A
Energy Label
Dimension Water outlet
material

4 l/min (3 bar)
with pop-up valve
Flexible connection hoses
fixed
top lever
chrome
Pillar installation
Lever mixer
206
I
A 150
A
127
Brass



### Spare Parts

**KWC** DOMO 6.0  
Lever mixer - Basin

Modell-Linie: **DOMO 6.0** | 12.668.042.000FL  
Taps | Manual taps



**Cartridge M 35 OP**

---

**538331**  
Z.537.710

---