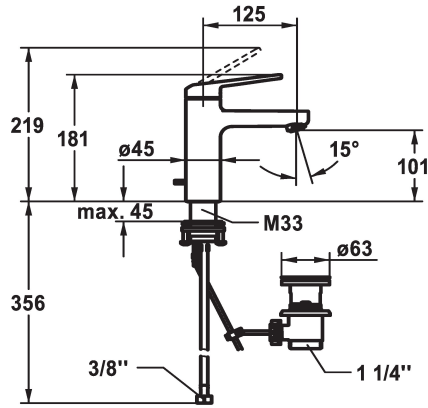


KWC DOMO 6.0 Lever mixer - Basin

Modell-Linie: DOMO 6.0 | 12.668.041.000FL
Taps | Manual taps



KWC-No.

124546
chromeline, A 125, flexible connection hoses, with pop-up valve

124547
chromeline, A 125, flexible connection hoses, without pop-up valve

- * Lever mixer
- * EcoProtect - water-saving device
- * Fixed spout
- Neoperl® Cascade® SLC
- * KWC cartridge M 35 OP
- with ceramic discs
- flow rate and temperature continuously variable

Pop-up_valve

with pop-up valve

without pop-up valve

- temperature limitation
- * Flexible connection hoses 3/8"
- * QuickInstallation - Fastening via threaded connection with locking screws
- * Mounting hole size ø35 mm
- * Scope of delivery:
- KWC pop-up valve Z.538.581.000

Technical Data

Flow rate
Pop-up_valve
Connection
Spout
Handling
Color code
Installation_type
Faucet_typ
Dimension Height
G_Acoustic group
Projection_A
Energy Label
Dimension Water outlet
material

4 l/min (3 bar)
with pop-up valve
Flexible connection hoses
fixed
top lever
chrome
Pillar installation
Lever mixer
181
I
A 125
A
101
Brass



Spare Parts

KWC DOMO 6.0
Lever mixer - Basin

Modell-Linie: **DOMO 6.0** | 12.668.041.000FL
Taps | Manual taps



Cartridge M 35 OP

538331
Z.537.710
