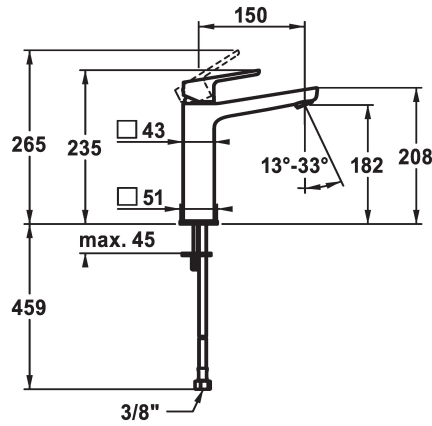


## KWC MONTA Lever mixer - Basin

Modell-Linie: MONTA | 12.411.093.000FL  
Taps | Manual taps



### KWC-No.

**124523**

chromeline, A 150, flexible connection hoses, without pop-up valve

- \* Lever mixer
- \* For top-mounted basins
- \* EcoProtect - water-saving device
- \* Fixed spout
- Neoperl® Perlator® SSR, swivelling jet regulator
- \* OptimalSpace - ample space for washing or working
- \* KWC cartridge M 35 OP

- with ceramic discs
- flow rate and temperature continuously variable
- temperature limitation
- \* Flexible connection hoses 3/8"
- \* Fastening by means of stud bolt 2x M6 x 1
- \* Mounting hole size ø35 mm

### Technical Data

Flow rate
pop-up valve
Connection
Spout
Handling
Color code
Installation type
Faucet_typ
Measure Height
Acoustic group
Projection A
Energy label
Dimension Water outlet
material

5 l/min (3 bar)
without pop-up valve
Flexible connection hoses
fixed
top lever
chromeline
Pillar installation
Lever mixer
235
I
A 150
A
182
Brass



### Spare Parts

## KWC MONTA Lever mixer - Basin

Modell-Linie: MONTA | 12.411.093.000FL  
Taps | Manual taps



### Cartridge M 35 OP

---

**538331**  
Z.537.710

---