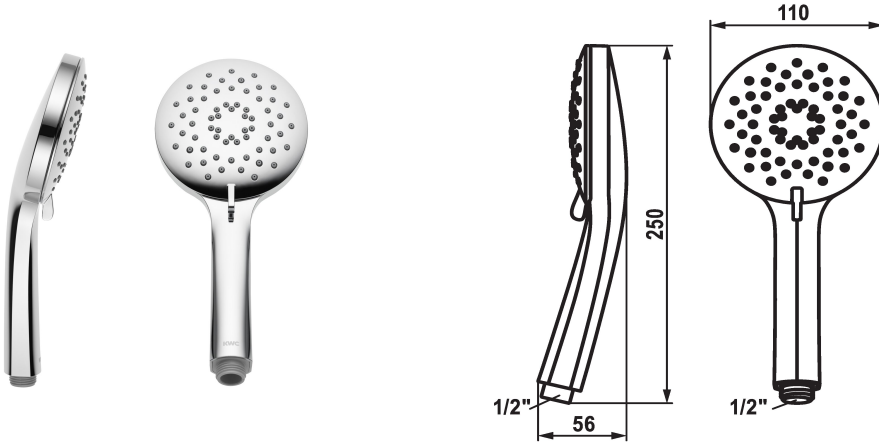


## KWC FIT-X Hand shower trio

Modell-Linie: FIT-X | 26.000.119.000  
Duschar | Duschar



### KWC-No.

**124492**  
chromeline

\* Hand shower KWC FIT -X trio  
\* TouchProtect - anti-scald protection thanks to the "double skin" principle

\* Cleaning-friendly faceplate  
\* Connecting thread 1/2"

### Technical Data

A\_Spout\_Spray

8 l/min (3 bar)

Connection

G1/2"

ATT-KWC-FARBCODE

chromeline

Faucet\_typ

Handbrause

ATT-KWC-STRAHLART

Spray, Swirl- & Mix spray

G\_Acoustic group

I

Material

KUNSTSTOFF