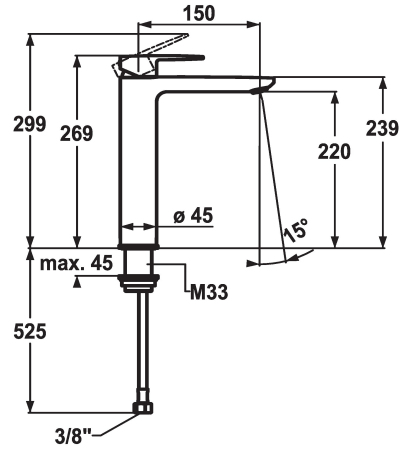


KWC ELLA Lever mixer - Basin

Modell-Linie: ELLA | 12.381.092.000FL
Taps | Manual taps



KWC-No.

124300
chromeline, A 150, flexible connection hoses, without pop-up valve

- * Lever mixer
- * For top-mounted basins
- * EcoProtect - water-saving device
- * Fixed spout
- Neoperl® Perlator® Shorty
- * OptimalSpace - ample space for washing or working
- * KWC cartridge M 35 OP

- with ceramic discs
- flow rate and temperature continuously variable
- temperature limitation
- * Flexible connection hoses 3/8"
- * Fastening by means of threaded sleeve M33 x 1.5
- * Mounting hole size ø35 mm

Technical Data

| | |
|------------------------|---------------------------|
| Flow rate | 5 l/min (3 bar) |
| Pop-up_valve | without pop-up valve |
| Connection | Flexible connection hoses |
| Spout | fixed |
| Handling | top lever |
| Color code | chrome |
| Installation_type | for top-mounted sinks |
| Faucet_typ | Lever mixer |
| Dimension Height | 269 |
| G_Acoustic group | I |
| Projection_A | A 150 |
| Energy Label | A |
| Dimension Water outlet | 220 |
| material | Brass |

| | |
|------------------------|---------------------------|
| Flow rate | 5 l/min (3 bar) |
| Pop-up_valve | without pop-up valve |
| Connection | Flexible connection hoses |
| Spout | fixed |
| Handling | top lever |
| Color code | chrome |
| Installation_type | for top-mounted sinks |
| Faucet_typ | Lever mixer |
| Dimension Height | 269 |
| G_Acoustic group | I |
| Projection_A | A 150 |
| Energy Label | A |
| Dimension Water outlet | 220 |
| material | Brass |



Spare Parts

KWC ELLA Lever mixer - Basin

Modell-Linie: ELLA | 12.381.092.000FL
Taps | Manual taps



Cartridge M 35 OP

538331
Z.537.710
