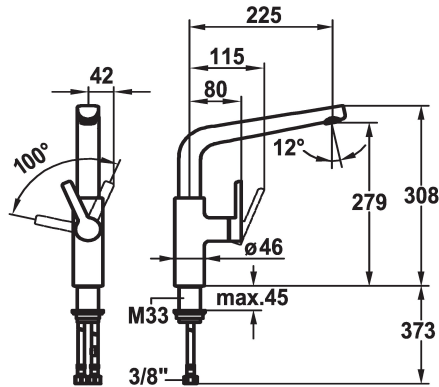


## KWC SUNO Lever mixer - Kitchen

Modell-Linie: SUNO | 10.171.013.000FL  
Kranar | Hydraulické armatúry



### KWC-No.

**123967**  
chromeline, A 225, flexible connection hoses

- \* Lever mixer
- \* Lever installation only possible on the right side
- Child safety: cold water flow in lever position towards the front
- \* gap between wall and centre of mounting hole min. 42 mm
- \* Swivel spout 360°
- Neoperl® Cascade®
- \* OptimalSpace - ample space for washing or working

- \* KWC cartridge S 25
- with ceramic discs
- flow rate and temperature continuously variable
- \* Flexible connection hoses 3/8"
- \* Fastening by means of threaded sleeve M33 x 1.5
- \* Mounting hole size ø35 mm

### Technical Data

A_Spout_Spray
Connection
ATT-KWC-AUSLAUF
Handling
ATT-KWC-FARBCODE
Installation_type
Faucet_typ
ATT-KWC-BAUFORM
Measure_Height
G_Acoustic group
Projection_A
EnergyLabelCH
ATT-KWC-MASS-WASSERAUSTRITT
Material

10 l/min (3 bar)
Flexible_Anschlussschläuche
schwenkbar
seitenbedient
chromeline
Standmontage
Hebelmischer
L-Auslauf
308
II
A225
B
279
Mässing



### Reservdelar

## KWC SUNO Lever mixer - Kitchen

Modell-Linie: SUNO | 10.171.013.000FL  
Kranar | Hydraulické armatury



### Cartridge S 25

---

**538711**  
Z.536.032

---