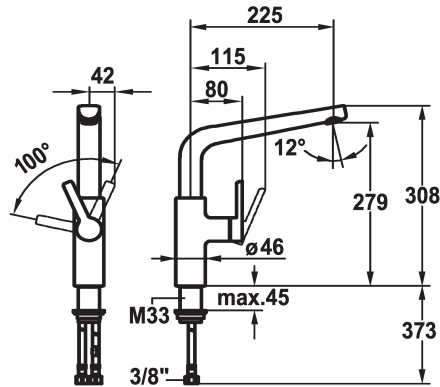


## KWC SUNO Lever mixer - Kitchen

Modell-Linie: SUNO | 10.171.013.000FL  
Taps | Manual taps



### KWC-No.

**123967**  
chromeline, A 225, flexible connection hoses

- \* Lever mixer
- \* Lever installation only possible on the right side
- Child safety: cold water flow in lever position towards the front
- \* gap between wall and centre of mounting hole min. 42 mm
- \* Swivel spout 360°
- Neoperl® Cascade®
- \* OptimalSpace - ample space for washing or working

- \* KWC cartridge S 25
- with ceramic discs
- flow rate and temperature continuously variable
- \* Flexible connection hoses 3/8"
- \* Fastening by means of threaded sleeve M33 x 1.5
- \* Mounting hole size  $\varnothing 35$  mm

### Technical Data

Flow rate
Connection
Spout
Handling
Color code
Installation type
Faucet_typ
Design
Dimension Height
Acoustic group
Projection A
Energy label
Dimension Water outlet
material

10 l/min (3 bar)
Flexible connection hoses
swivel
side lever
chromeline
Pillar installation
Lever mixer
L-Spout
308
II
A 225
B
279
Brass



### Spare Parts

**KWC** SUNO  
Lever mixer - Kitchen

**Modell-Linie: SUNO | 10.171.013.000FL**  
Taps | Manual taps



**Cartridge S 25**

---

**538711**  
Z.536.032

---