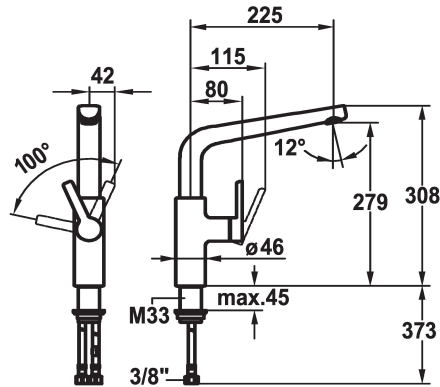


## KWC SUNO Lever mixer - Kitchen

Modell-Linie: SUNO | 10.171.013.000FL  
Taps | Manual taps



### KWC-No.

**123967**  
chromeline, A 225, flexible connection hoses

- \* Lever mixer
- \* Lever installation only possible on the right side
- Child safety: cold water flow in lever position towards the front
- \* gap between wall and centre of mounting hole min. 42 mm
- \* Swivel spout 360°
- Neoperl® Cascade®
- \* OptimalSpace - ample space for washing or working

- \* KWC cartridge S 25
- with ceramic discs
- flow rate and temperature continuously variable
- \* Flexible connection hoses 3/8"
- \* Fastening by means of threaded sleeve M33 x 1.5
- \* Mounting hole size  $\varnothing 35$  mm

### Technical Data

Flow rate	10 l/min (3 bar)
Connection	Flexible connection hoses
Spout	swivel
Handling	side lever
Color code	chrome
Installation_type	Pillar installation
Faucet_typ	Lever mixer
Design	L-Spout
Dimension Height	308
G_Acoustic group	II
Projection_A	A 225
Energy Label	B
Dimension Water outlet	279
material	Brass

Flow rate	10 l/min (3 bar)
Connection	Flexible connection hoses
Spout	swivel
Handling	side lever
Color code	chrome
Installation_type	Pillar installation
Faucet_typ	Lever mixer
Design	L-Spout
Dimension Height	308
G_Acoustic group	II
Projection_A	A 225
Energy Label	B
Dimension Water outlet	279
material	Brass



### Spare Parts

**KWC** SUNO  
Lever mixer - Kitchen

**Modell-Linie: SUNO | 10.171.013.000FL**  
Taps | Manual taps



**Cartridge S 25**

---

**538711**  
Z.536.032

---