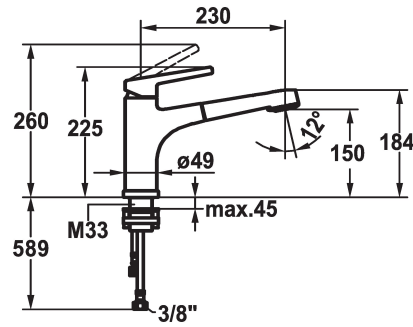
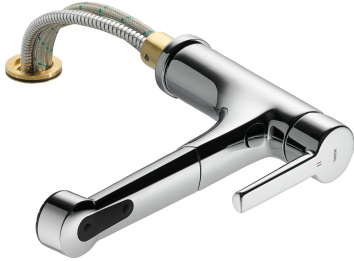


KWC SUNO

Lever mixer - Kitchen - detachable

Modell-Linie: SUNO | 10.171.053.000FL

Taps | Manual taps



KWC-No.

123963

chromeline, A 230, flexible connection hoses

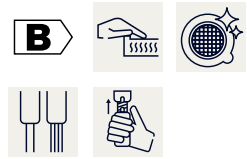
- * Lever mixer
- * Detachable for installation below windows - detached 55 mm
- * TouchProtect - anti-scald protection thanks to the "double skin" principle
- * Intrinsicly safe against backflow
- * Pull-out spray
 - SprayClean - easy to clean and actively prevents limescale buildup
 - up to 600 mm pull-out length
 - PowerClean - needle spray mode, with automatic diverter reset

- hose surface to fit faucet surface
- * Hose guide, swivelling 130°
- * EasyLock - a pull-out spray that easily slides back into place
- * KWC cartridge M 35 H
 - with ceramic discs
 - flow rate and temperature continuously variable
- * Flexible connection hoses 3/8"
- * Fastening by means of threaded sleeve M35 x 1.5 (preassembled socket)
- * Mounting hole size ø35 - 37 mm

Technical Data

Flow rate needle spray
Flow rate normal spray
Connection
Spout
Detachable
Handling
Kitchenspray
Color code
Installation type
Faucet_typ
Dimension Height
Acoustic group
Projection A
Energy label
Dimension Water outlet
material

11 l/min (3 bar)
11 l/min (3 bar)
Flexible connection hoses
swivel
detachable
top lever
Pull-out spray
chromeline
Pillar installation
Lever mixer
225
I
A 230
B
150
Brass



Spare Parts

KWC SUNO

Lever mixer - Kitchen - detachable

Modell-Linie: SUNO | 10.171.053.000FL

Taps | Manual taps



Cartridge M 35

536570

Z.534.836
