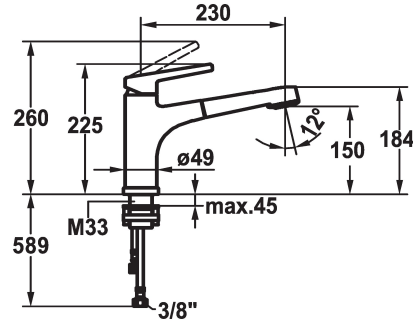
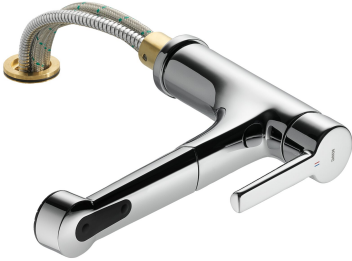


## KWC SUNO

Lever mixer - Kitchen - detachable

Modell-Linie: SUNO | 10.171.053.000FL

Taps | Manual taps



### KWC-No.

**123963**

chromeline, A 230, flexible connection hoses

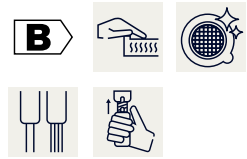
- \* Lever mixer
- \* Detachable for installation below windows - detached 55 mm
- \* TouchProtect - anti-scald protection thanks to the "double skin" principle
- \* Intrinsicly safe against backflow
- \* Pull-out spray
  - SprayClean - easy to clean and actively prevents limescale buildup
  - up to 600 mm pull-out length
  - PowerClean - needle spray mode, with automatic diverter reset

- hose surface to fit faucet surface
- \* Hose guide, swivelling 130°
- \* EasyLock - a pull-out spray that easily slides back into place
- \* KWC cartridge M 35 H
  - with ceramic discs
  - flow rate and temperature continuously variable
- \* Flexible connection hoses 3/8"
- \* Fastening by means of threaded sleeve M35 x 1.5 (preassembled socket)
- \* Mounting hole size  $\varnothing 35 - 37$  mm

### Technical Data

Flow rate needle spray
Flow rate normal spray
Connection
Spout
Detachable
Handling
Kitchen_spray
Color code
Installation_type
Faucet_typ
Dimension Height
G_Acoustic_group
Projection_A
Energy Label
Dimension Water outlet
material

11 l/min (3 bar)
11 l/min (3 bar)
Flexible connection hoses
swivel
detachable
top lever
Pull-out spray
chrome
Pillar installation
Lever mixer
225
l
A 230
B
150
Brass



### Spare Parts



**KWC** SUNO

Lever mixer - Kitchen - detachable

**Modell-Linie: SUNO | 10.171.053.000FL**

Taps | Manual taps



**Cartridge M 35**

---

**536570**

Z.534.836

---