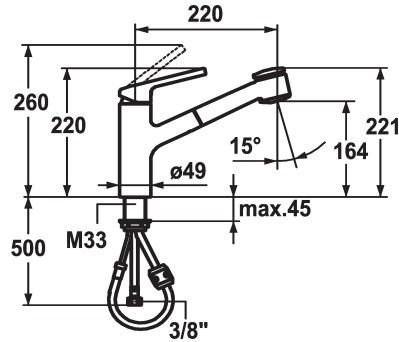


## KWC LUNA E Lever mixer - Kitchen

Modell-Linie: LUNA E | 10.441.033.000FL  
Taps | Manual taps



### KWC-No.

**123820**  
chromeline, A220

**124751**  
matt black, A220

- \* Lever mixer
- \* TouchProtect - anti-scald protection thanks to the "double skin" principle
- \* Pull-out spray
  - SprayClean - easy to clean and actively prevents limescale buildup
  - up to 600 mm pull-out length
  - PowerClean - needle spray mode, with automatic diverter reset
  - QuickConnect - Simple hose connection system

- \* Hose guide, swivelling 130°
- \* EasyLock - a pull-out spray that easily slides back into place
- \* KWC cartridge M 35
  - with ceramic discs
  - flow rate and temperature continuously variable
- \* Flexible connection hoses 3/8"
- \* Fastening by means of threaded sleeve M33 x 1.5
- \* Mounting hole size ø35 mm

### Technical Data

|                        |
|------------------------|
| Flow rate needle spray |
| Flow rate normal spray |
| Connection             |
| Spout                  |
| Handling               |
| Kitchenspray           |
| Color code             |
| Installation type      |
| Faucet_typ             |
| Measure Height         |
| Acoustic group         |
| Projection A           |
| Energy label           |
| Dimension Water outlet |
| material               |

|                           |
|---------------------------|
| 10 l/min (3 bar)          |
| 10 l/min (3 bar)          |
| Flexible connection hoses |
| swivel                    |
| top lever                 |
| Pull-out spray            |
| chromeline                |
| Pillar installation       |
| Lever mixer               |
| 220                       |
| II                        |
| A 220                     |
| B                         |
| 164                       |
| Brass                     |



### Spare Parts

## KWC LUNA E Lever mixer - Kitchen

Modell-Linie: LUNA E | 10.441.033.000FL  
Taps | Manual taps



### Cartridge M 35 H

---

**538327**  
Z.537.582

---