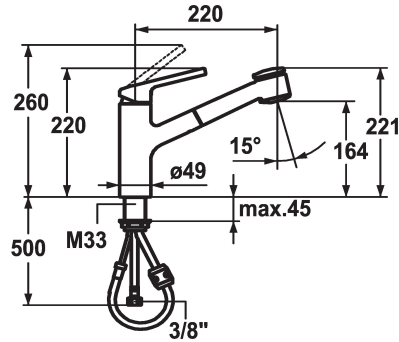


## KWC LUNA E Lever mixer - Kitchen

Modell-Linie: LUNA E | 10.441.033.000FL  
Taps | Manual taps



### KWC-No.

**123820**  
chromeline, A220

**124751**  
matt black, A220

- \* Lever mixer
- \* TouchProtect - anti-scald protection thanks to the "double skin" principle
- \* Pull-out spray
  - SprayClean - easy to clean and actively prevents limescale buildup
  - up to 600 mm pull-out length
  - PowerClean - needle spray mode, with automatic diverter reset
  - QuickConnect - Simple hose connection system

- \* Hose guide, swivelling 130°
- \* EasyLock - a pull-out spray that easily slides back into place
- \* KWC cartridge M 35
  - with ceramic discs
  - flow rate and temperature continuously variable
- \* Flexible connection hoses 3/8"
- \* Fastening by means of threaded sleeve M33 x 1.5
- \* Mounting hole size ø35 mm

### Technical Data

Flow rate needle spray
Flow rate normal spray
Connection
Spout
Handling
Kitchen_spray
Color_code
Installation_type
Faucet_typ
Dimension Height
G_Acoustic_group
Projection_A
Energy Label
Dimension Water outlet
material

10 l/min (3 bar)
10 l/min (3 bar)
Flexible connection hoses
swivel
top lever
Pull-out spray
chrome
Pillar installation
Lever mixer
220
II
A 220
B
164
Brass



### Spare Parts

## KWC LUNA E Lever mixer - Kitchen

Modell-Linie: LUNA E | 10.441.033.000FL  
Taps | Manual taps



### Cartridge M 35 H

---

**538327**  
Z.537.582

---