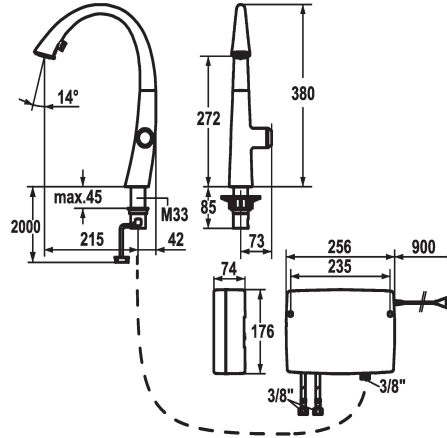


## KWC ZOE touch light PRO Kitchen - with LEDShine, touch light PRO

Modell-Linie: ZOE TOUCH LIGHT PR | 10.201.242.127FL  
Taps | Electronic taps



### KWC-No.

**123778**  
chromeline, A 215, flexible connection hoses, mains receiver

**124345**  
matt black, A 215, flexible connection hoses, mains receiver

**123783**  
decor steel, A 215, flexible connection hoses, mains receiver

### Color code

chrome

matt black

decor steel

- \* IntelligentControl - electronic control
- touch light PRO technology
- \* touch'n'flow 1-2-3
- 3 preset temperatures and flow rates
- \* Position of control unit only possible on the right side
- \* gap between wall and centre of mounting hole min. 42 mm
- \* TouchProtect - anti-scald protection thanks to the "double skin" principle
- \* Microprocessor-control
- touch'n'flow 1: cold water, 50% flow rate can be individually adjusted and saved
- touch'n'flow 2: warm water, 50% flow rate can be individually adjusted and saved
- touch'n'flow 3: hot water, 50% flow rate can be individually adjusted and saved
- with cleaning programme
- duration of water flow - safety indication: switch off automatically after 10 minutes
- temperature limit can be adjusted
- hot water disinfection (5 minutes) can be adjusted
- can be restored to factory settings
- \* Covered pull-out spray
- ergonomic spout alignment, shape and handling
- SprayClean - easy to clean and actively prevents limescale

- buildup
- Neoperl® Cascade®
- PowerClean - needle spray mode, with automatic diverter reset
- integrated ON/OFF push-button with automatic shut-off after 30 minutes
- up to 500 mm pull-out length
- hose surface to fit faucet surface
- \* SwivelStop - hose guide, swivelling 270°, limitable to 120°
- \* EasyLock - a pull-out spray that easily slides back into place
- \* OptimalSpace - ample space for washing or working
- \* touch light PRO control unit, maintenance-free
- up-to-date microprocessor and drive technology
- tried-and-tested valve technology
- incl. installation materials
- designed for wired connection to 1 operating unit (standard)
- \* Flexible connection hoses 3/8"
- \* Fastening by means of threaded sleeve M33 x 1.5
- \* Mounting hole size ø35 mm
- \* Scope of delivery:
- Mains receiver 100-240 V / operating voltage 15 V / cable length 900 mm
- \* To be ordered separately (optional or if necessary):
- Extension set 1500 mm Z.536.352, comprising: stainless steel hose 1500 mm, 3/8" x 3/8", double nipple, sealing material

### Technical Data

Flow rate needle spray
Flow rate normal spray
Electronical_control
Light
Connection
Spout
Power_supply
Handling
Kitchen_spray
Color code
Installation_type

10 l/min (3 bar)
9 l/min (3 bar)
Automatic, low-contact
with LED Shine, tIP
Flexible connection hoses
swivel
mains receiver
side lever
Pull-out spray
decor steel
Pillar installation





**KWC** ZOE touch light PRO  
Kitchen - with LEDShine, touch light PRO

**Modell-Linie: ZOE TOUCH LIGHT PR | 10.201.242.127FL**  
Taps | Electronic taps

Faucet_typ	Electronic
Design	J-Spout
Dimension Height	380
G_Acoustic group	I
Projection_A	A 215
Energy Label	A
Dimension Water outlet	272
material	Brass