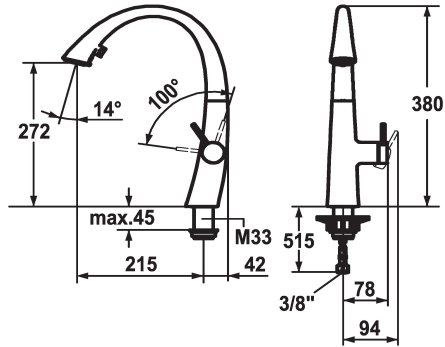


## KWC ZOE Lever mixer - Kitchen

Modell-Linie: ZOE | 10.201.102.150FL  
Armatura umywalkowa | Armatura jednouchwytywa



### KWC-No.

**122926**  
chromeline, A 215, flexible connection hoses

**124349**  
matt black, A 215, flexible connection hoses

**122931**  
decor steel, A 215, flexible connection hoses

**123312**  
glacier white, A 215, flexible connection hoses

### ATT-KWC-FARBCODE

chromeline

matt black

decor steel

glacier white

- \* Lever mixer
- \* Lever installation only possible on the right side
- Child safety: cold water flow in lever position towards the front
- \* gap between wall and centre of mounting hole min. 42 mm
- \* TouchProtect - anti-scald protection thanks to the "double skin" principle
- \* Covered pull-out spray
- ergonomic spout alignment, shape and handling
- SprayClean - easy to clean and actively prevents limescale buildup
- Neoperl® Cascade®

- PowerClean - needle spray mode, with automatic diverter reset
- up to 500 mm pull-out length
- \* SwivelStop - hose guide, swivelling 270°, limitable to 120°
- \* EasyLock - a pull-out spray that easily slides back into place
- \* OptimalSpace - ample space for washing or working
- \* KWC cartridge S 25
- with ceramic discs
- flow rate and temperature continuously variable
- \* Flexible connection hoses 3/8"
- \* Fastening by means of threaded sleeve M33 x 1.5
- \* Mounting hole size ø35 mm

### Dane techniczne

ATT-KWC-A\_AUSZUGBRAUSE\_SIEB

9 l/min (3 bar)

ATT-KWC-A\_AUSZUGBRAUSE\_NORMAL

8 l/min (3 bar)

Connection

Flexible\_Anschlussschläuche

ATT-KWC-AUSLAUF

schwenkbar

Handling

seitenbedient

Kitchen\_spray

Umstellbrause

ATT-KWC-FARBCODE

glacier white

Installation\_type

Standmontage

Faucet\_typ

Hebelmischer

ATT-KWC-BAUFORM

J-Auslauf

Dimension Height

380

G\_Acoustic group

II

Projection\_A

A215

EnergyLabelCH

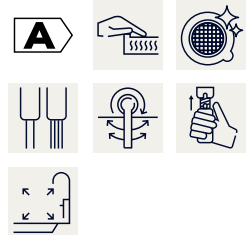
A

ATT-KWC-MASS-WASSERAUSTRITT

272

Material

Mosiqdz



**KWC** ZOE  
Lever mixer - Kitchen

**Modell-Linie: ZOE | 10.201.102.150FL**  
Armatura umywalkowa | Armatura jednouchwytowa

## Części zamienne



### Cartridge S 25

---

**538711**  
Z.536.032

---