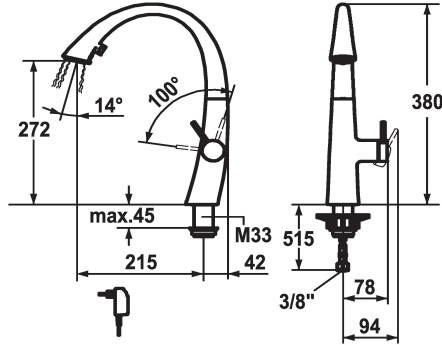


## KWC ZOE

Lever mixer - Kitchen - with LEDShine

Modell-Linie: ZOE | 10.201.122.000FL

Taps | Manual taps



### KWC-No.

**122916**  
chromeline, A 215, flexible connection hoses, mains receiver

**124353**  
matt black, A 215, flexible connection hoses, mains receiver

**122921**  
decor steel, A 215, flexible connection hoses, mains receiver

**123307**  
glacier white, A 215, flexible connection hoses, mains receiver

### Color code

chrome

matt black

decor steel

glacier white

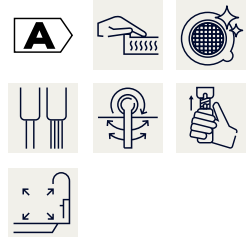
- \* Lever mixer
- \* Lever installation only possible on the right side
- Child safety: cold water flow in lever position towards the front
- \* gap between wall and centre of mounting hole min. 42 mm
- \* TouchProtect - anti-scald protection thanks to the "double skin" principle
- \* Covered pull-out spray
- ergonomic spout alignment, shape and handling
- SprayClean - easy to clean and actively prevents limescale buildup
- Neoperl® Cascade®
- PowerClean - needle spray mode, with automatic diverter reset
- integrated ON/OFF push-button with automatic shut-off after 30 minutes

- up to 500 mm pull-out length
- hose surface to fit faucet surface
- \* SwivelStop - hose guide, swivelling 270°, limitable to 120°
- \* EasyLock - a pull-out spray that easily slides back into place
- \* OptimalSpace - ample space for washing or working
- \* KWC cartridge S 25
- with ceramic discs
- flow rate and temperature continuously variable
- \* Flexible connection hoses 3/8"
- \* Fastening by means of threaded sleeve M33 x 1.5
- \* Mounting hole size ø35 mm
- \* Scope of delivery:
- Mains receiver 100-240 V / operating voltage 6.75 V / cable length 1100 mm

### Technical Data

|                        |
|------------------------|
| Flow rate needle spray |
| Flow rate normal spray |
| Light                  |
| Connection             |
| Spout                  |
| Power_supply           |
| Handling               |
| Kitchen_spray          |
| Color code             |
| Installation_type      |
| Faucet_typ             |
| Design                 |
| Dimension Height       |
| G_Acoustic group       |
| Projection_A           |

|                           |
|---------------------------|
| 9 l/min (3 bar)           |
| 8 l/min (3 bar)           |
| with LED Shine            |
| Flexible connection hoses |
| swivel                    |
| mains receiver            |
| side lever                |
| Diverter spray            |
| chrome                    |
| Pillar installation       |
| Lever mixer               |
| J-Spout                   |
| 380                       |
| II                        |
| A 215                     |



## KWC ZOE

Lever mixer - Kitchen - with LEDShine

Modell-Linie: ZOE | 10.201.122.000FL

Taps | Manual taps

Energy Label

A

Dimension Water outlet

272

material

Brass

### Spare Parts



#### Cartridge S 25

**538711**

Z.536.032