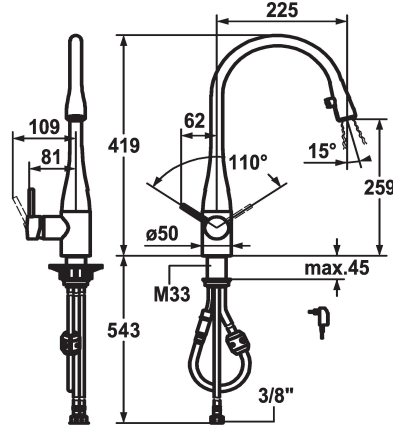


## KWC EVE

Lever mixer - Kitchen - with LEDShine

Modell-Linie: EVE | 10.121.103.151FL

Taps | Manual taps



### KWC-No.

**121240**  
chromeline, A 225, flexible connection hoses, mains receiver

**121325**  
stainless steel, A 225, flexible connection hoses, mains receiver

**122169**  
black chrome-plated, A 225, flexible connection hoses, mains receiver

**122168**  
glacier white, A 225, flexible connection hoses, mains receiver

- \* Lever mixer
- \* Lever installation possible on the right or left side
- \* TouchProtect - anti-scald protection thanks to the "double skin" principle
- \* Pull-out aerator covered
  - Neoperl® Caché®
  - integrated ON/OFF push-button with automatic shut-off after 45 minutes
  - up to 600 mm pull-out length
- \* Hose guide, swivelling 320°
- \* EasyLock - a pull-out spray that easily slides back into place

### Color code

chromeline

stainless steel

black chrome-plated

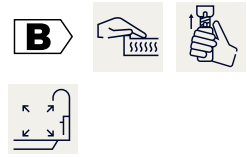
glacier white

- \* OptimalSpace - ample space for washing or working
- \* KWC cartridge M 35
  - with ceramic discs
  - flow rate and temperature continuously variable
- \* Flexible connection hoses 3/8"
- \* Fastening by means of threaded sleeve M33 x 1.5
- \* Mounting hole size ø35 mm
- \* Scope of delivery:
  - Mains receiver 100-240 V / operating voltage 6.75 V / cable length 1100 mm

### Technical Data

Flow rate
Light
Connection
Spout
Power supply
Handling
Kitchenspray
Color code
Installation type
Faucet_typ
Measure Height
Acoustic group
Projection A
Energy label
Dimension Water outlet
material

10 l/min (3 bar)
with LED Shine
Flexible connection hoses
swivel
mains receiver
side lever
Pull-out aerator
black chrome-plated
Pillar installation
Lever mixer
419
I
A 225
B
259
Brass



## KWC EVE

Lever mixer - Kitchen - with LEDShine

Modell-Linie: EVE | 10.121.103.151FL  
Taps | Manual taps

### Spare Parts



**Cartridge M 35**

---

**536570**  
Z.534.836

---



**Service key Neoperl © Caché ©, TJ, 18 mm, green**

---

**634729**  
CACHETJ

---