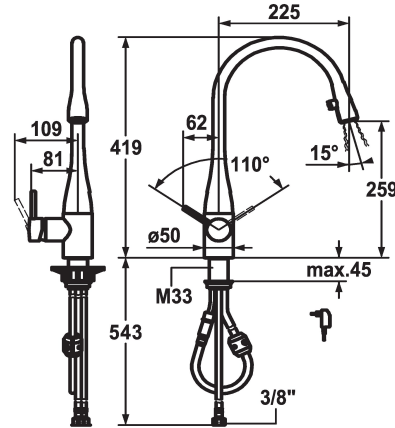


KWC EVE

Lever mixer - Kitchen - with LEDShine

Modell-Linie: EVE | 10.121.103.150FL

Kranar | Hydraulické armatury



KWC-No.

121240
chromeline, A 225, flexible connection hoses, mains receiver

121325
stainless steel, A 225, flexible connection hoses, mains receiver

122169
black chrome-plated, A 225, flexible connection hoses, mains receiver

122168
glacier white, A 225, flexible connection hoses, mains receiver

- * Lever mixer
- * Lever installation possible on the right or left side
- * TouchProtect - anti-scald protection thanks to the "double skin" principle
- * Pull-out aerator covered
 - Neoperl® Caché®
 - integrated ON/OFF push-button with automatic shut-off after 45 minutes
 - up to 600 mm pull-out length
- * Hose guide, swivelling 320°
- * EasyLock - a pull-out spray that easily slides back into place

ATT-KWC-FARBCODE

chromeline

stainless steel

black chrome-plated

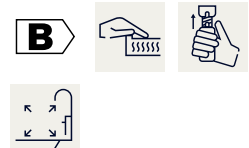
glacier white

- * OptimalSpace - ample space for washing or working
- * KWC cartridge M 35
 - with ceramic discs
 - flow rate and temperature continuously variable
- * Flexible connection hoses 3/8"
- * Fastening by means of threaded sleeve M33 x 1.5
- * Mounting hole size ø35 mm
- * Scope of delivery:
 - Mains receiver 100-240 V / operating voltage 6.75 V / cable length 1100 mm

Technical Data

A_Spout_Spray
ATT-KWC-LICHT
Connection
ATT-KWC-AUSLAUF
ATT-KWC-STROMVERSORGUNG
Handling
Kitchen_spray
ATT-KWC-FARBCODE
Installation_type
Faucet_typ
Measure_Height
G_Acoustic group
Projection_A
EnergyLabelCH
ATT-KWC-MASS-WASSERAUSTRITT
Material

10 l/min (3 bar)
mit LUMINAQUA LED-Tech
Flexible_Anschlusschläuche
schwenkbar
Netz AP
seitenbedient
Auszugauslauf
glacier white
Standmontage
Hebelmischer
419
I
A225
B
259
Mässing



KWC EVE

Lever mixer - Kitchen - with LEDShine

Modell-Linie: EVE | 10.121.103.150FL
Kranar | Hydraulické armatury

Reservdelar



Cartridge M 35

536570
Z.534.836



Service key Neoperl © Caché ©, TJ, 18 mm, green

634729
CACHETJ
