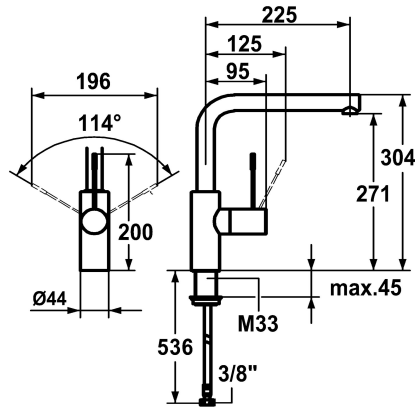


## KWC ONO Lever mixer - Kitchen

Modell-Linie: ONO | 10.151.013.000FL  
Taps | Manual taps



### KWC-No.

**121858**  
chromeline, A 225, flexible connection hoses

- \* Lever mixer
- \* Lever installation possible on the right or left side
- \* Surgical-grade hardened stainless steel lever
- \* Swivel spout 360°
- Neoperl® Caché®
- \* OptimalSpace - ample space for washing or working
- \* KWC cartridge M 35 H

- with ceramic discs
- flow rate and temperature continuously variable
- \* Flexible connection hoses 3/8"
- \* Fastening by means of threaded sleeve M33 x 1.5
- \* Mounting hole size ø35 mm
- \* To be ordered separately (optional or if necessary):
- Short lever, L 70 mm Z.535.995

### Technical Data

Flow rate
Connection
Spout
Handling
Color code
Installation type
Faucet_typ
Dimension Height
Acoustic group
Projection A
Energy label
Dimension Water outlet
material

12 l/min (3 bar)
Flexible connection hoses
swivel
side lever
chromeline
Pillar installation
Lever mixer
304
I
A 225
C
271
Brass



### Spare Parts





## KWC ONO

Lever mixer - Kitchen

Modell-Linie: ONO | 10.151.013.000FL  
Taps | Manual taps

### Cartridge M 35 H

---

**538327**  
Z.537.582

---

### Service key Neoperl © Caché ©, TJ, 18 mm, green

---

**634729**  
CACHETJ

---

### Combination wrench ONO

---

**635392**  
Z.635.392

---