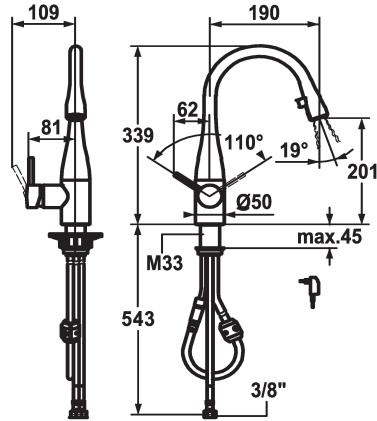


## KWC EVE

Lever mixer - Kitchen - with LEDShine

Modell-Linie: EVE | 10.121.102.000FL

Kranar | Hydraulické armatúry



### KWC-No.

**121618**  
chromeline, A 190, flexible connection hoses, mains receiver

**121616**  
stainless steel, A 190, flexible connection hoses, mains receiver

- \* Lever mixer
- \* Lever installation possible on the right or left side
- \* TouchProtect - anti-scald protection thanks to the "double skin" principle
- \* Pull-out aerator covered
  - Neoperl® Caché®
  - integrated ON/OFF push-button with automatic shut-off after 45 minutes
  - up to 600 mm pull-out length
  - hose surface to fit faucet surface
- \* Hose guide, swivelling 320°

### ATT-KWC-FARBCODE

chromeline

stainless steel

- \* EasyLock - a pull-out spray that easily slides back into place
- \* KWC cartridge M 35
  - with ceramic discs
  - flow rate and temperature continuously variable
- \* Flexible connection hoses 3/8"
- \* Fastening by means of threaded sleeve M33 x 1.5
- \* Mounting hole size ø35 mm
- \* Scope of delivery:
  - Mains receiver 100-240 V / operating voltage 6.75 V / cable length 1100 mm

### Technical Data

A\_Spout\_Spray

ATT-KWC-LICHT

Connection

ATT-KWC-AUSLAUF

ATT-KWC-STROMVERSORGUNG

Handling

Kitchen\_spray

ATT-KWC-FARBCODE

Installation\_type

Faucet\_typ

Measure\_Height

G\_Acoustic\_group

Projection\_A

EnergyLabelCH

ATT-KWC-MASS-WASSERAUSTRITT

Material

10 l/min (3 bar)

mit LUMINAQUA LED-Tech

Flexible\_Anschlusschläuche

schwenkbar

Netz AP

seitenbedient

Auszugauslauf

chromeline

Standmontage

Hebelmischer

339

I

A190

B

201

Mässing



### Reservdelar

## KWC EVE

Lever mixer - Kitchen - with LEDShine

Modell-Linie: EVE | 10.121.102.000FL  
Kranar | Hydraulické armatury



**Cartridge M 35**

---

**536570**  
Z.534.836

---

**Service key Neoperl © Caché ©, TJ, 18 mm, green**

---

**634729**  
CACHETJ

---