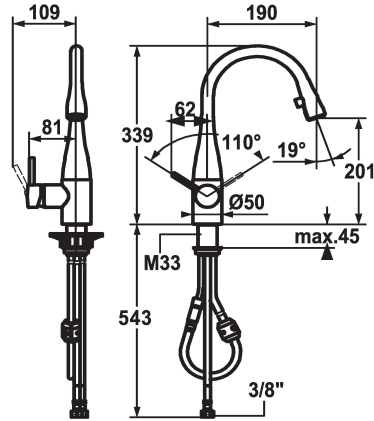


KWC EVE Lever mixer - Kitchen

Modell-Linie: EVE | 10.111.102.700FL
Taps | Manual taps



KWC-No.

121619
chromeline, A 190, flexible connection hoses

121617
stainless steel, A 190, flexible connection hoses

Color code

chromeline

stainless steel

- * Lever mixer
- * Lever installation possible on the right or left side
- * TouchProtect - anti-scald protection thanks to the "double skin" principle
- * Pull-out aerator covered
 - Neoperl® Caché®
 - up to 600 mm pull-out length
 - hose surface to fit faucet surface

- * Hose guide, swivelling 320°
- * EasyLock - a pull-out spray that easily slides back into place
- * KWC cartridge M 35
 - with ceramic discs
 - flow rate and temperature continuously variable
- * Flexible connection hoses 3/8"
- * Fastening by means of threaded sleeve M33 x 1.5
- * Mounting hole size ø35 mm

Technical Data

Flow rate
Connection
Spout
Handling
Kitchenspray
Color code
Installation type
Faucet_typ
Measure Height
Acoustic group
Projection A
Energy label
Dimension Water outlet
material

11 l/min (3 bar)
Flexible connection hoses
swivel
side lever
Pull-out aerator
stainless steel
Pillar installation
Lever mixer
339
I
A 190
B
201
stainless steel



Spare Parts

KWC EVE Lever mixer - Kitchen

Modell-Linie: EVE | 10.111.102.700FL
Taps | Manual taps



Cartridge M 35

536570
Z.534.836



Service key Neoperl © Caché ©, TJ, 18 mm, green

634729
Z.634.729
