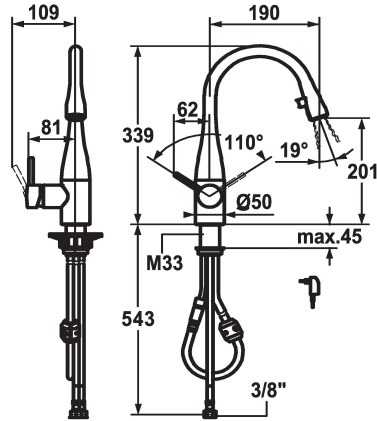


KWC EVE

Lever mixer - Kitchen - with LEDShine

Modell-Linie: EVE | 10.121.102.700FL

Kranar | Hydraulické armatúry



KWC-No.

121618
chromeline, A 190, flexible connection hoses, mains receiver

121616
stainless steel, A 190, flexible connection hoses, mains receiver

- * Lever mixer
- * Lever installation possible on the right or left side
- * TouchProtect - anti-scald protection thanks to the "double skin" principle
- * Pull-out aerator covered
 - Neoperl® Caché®
 - integrated ON/OFF push-button with automatic shut-off after 45 minutes
 - up to 600 mm pull-out length
 - hose surface to fit faucet surface
- * Hose guide, swivelling 320°

ATT-KWC-FARBCODE

chromeline

stainless steel

- * EasyLock - a pull-out spray that easily slides back into place
- * KWC cartridge M 35
 - with ceramic discs
 - flow rate and temperature continuously variable
- * Flexible connection hoses 3/8"
- * Fastening by means of threaded sleeve M33 x 1.5
- * Mounting hole size ø35 mm
- * Scope of delivery:
 - Mains receiver 100-240 V / operating voltage 6.75 V / cable length 1100 mm

Technical Data

A_Spout_Spray

ATT-KWC-LICHT

Connection

ATT-KWC-AUSLAUF

ATT-KWC-STROMVERSORGUNG

Handling

Kitchen_spray

ATT-KWC-FARBCODE

Installation_type

Faucet_typ

Measure_Height

G_Acoustic_group

Projection_A

EnergyLabelCH

ATT-KWC-MASS-WASSERAUSTRITT

Material

10 l/min (3 bar)

mit LUMINAQUA LED-Tech

Flexible_Anschlusschläuche

schwenkbar

Netz AP

seitenbedient

Auszugauslauf

stainless steel

Standmontage

Hebelmischer

339

I

A190

B

201

ROSTFREIER_STAHL



Reservdelar

KWC EVE

Lever mixer - Kitchen - with LEDShine

Modell-Linie: EVE | 10.121.102.700FL
Kranar | Hydraulické armatury



Cartridge M 35

536570
Z.534.836

Service key Neoperl © Caché ©, TJ, 18 mm, green

634729
CACHETJ
