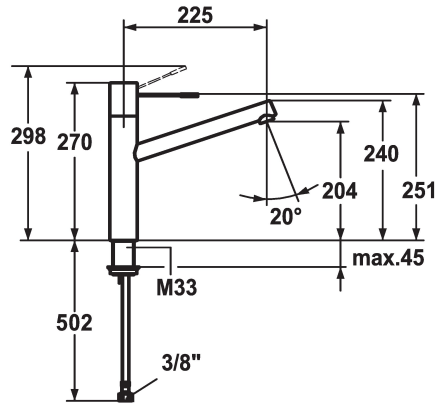


## KWC ONO Lever mixer - Kitchen

Modell-Linie: ONO | 10.151.023.700FL  
Taps | Manual taps



### KWC-No.

**121794**  
chromeline, A 225, flexible connection hoses

**121492**  
stainless steel, A 225, flexible connection hoses

- \* Lever mixer
- \* Surgical-grade hardened stainless steel lever
- \* Swivel spout 270°
- Neoperl® Caché®
- \* KWC cartridge M 35 H

### Color code

chromeline

stainless steel

- with ceramic discs
- flow rate and temperature continuously variable
- \* Flexible connection hoses 3/8"
- \* Fastening by means of threaded sleeve M33 x 1.5
- \* Mounting hole size ø35 mm

### Technical Data

Flow rate
Connection
Spout
Handling
Color code
Installation type
Faucet_typ
Measure Height
Acoustic group
Projection A
Energy label
Dimension Water outlet
material

12 l/min (3 bar)
Flexible connection hoses
swivel
top lever
stainless steel
Pillar installation
Lever mixer
270
I
A 225
C
204
stainless steel



### Spare Parts

## KWC ONO Lever mixer - Kitchen

Modell-Linie: ONO | 10.151.023.700FL  
Taps | Manual taps



**Cartridge M 35 H**

**538327**  
Z.537.582



**Service key Neoperl © Caché ©, TJ, 18 mm, green**

**634729**  
CACHETJ



**Combination wrench ONO**

**635392**  
Z.635.392