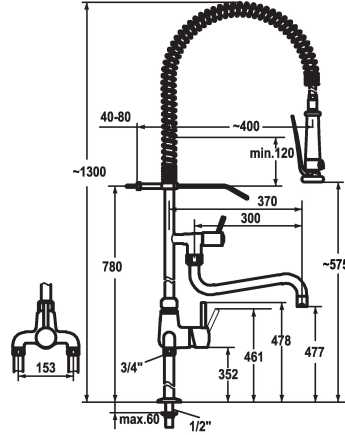


KWC GASTRO Lever mixer - Commercial kitchen

Modell-Linie: GASTRO | 24.503.126.000
Taps | Manual taps



KWC-No.

121296
chromeline, AD 153, A 200, B 270

121297
chromeline, AD 153, A 300, B 370

Projection A

A 200 / A 400

A 300 / A 400

- * Lever mixer
- * Suspension spring
- * TouchProtect - anti-scald protection thanks to the "double skin" principle
- * Intrinsicly safe against backflow
- * Swivel spout
 - with adjustable gland
 - Jet regulator
- * Pre-rinse spray
 - with integrated delayed closing device to minimize water hammer
 - with valve maintenance unit for cleaning and swivelling sieve jet

- SprayClean - easy to clean and actively prevents limescale buildup
- SprayLock - lockable jet spray
- PowerClean - needle spray mode
- * OptimalSpace - ample space for washing or working
- * KWC cartridge XL 46 - high capacity
- with ceramic discs
- flow rate and temperature continuously variable
- temperature limitation
- * Pillar connections 1/2" x 3/4" L 340
- * Mounting hole size ø22 mm

Technical Data

Flow rate	34 l/min (3 bar)
Spray: Flow rate	15 l/min (3 bar)
Spout	fixed
Wall bracket	with wall bracket
Kitchenspray	Pre-rinse spray
Projection B	B 370
Color code	chromeline
Installation type	Pillar installation
Faucet_typ	Lever mixer
Dimension Height	1300
Acoustic group	II
Spray outlet: Acoustic group	I
Projection A	A 300 / A 400
Connection measure	153
Dimension Water outlet	477/580
material	Brass

Flow rate	34 l/min (3 bar)
Spray: Flow rate	15 l/min (3 bar)
Spout	fixed
Wall bracket	with wall bracket
Kitchenspray	Pre-rinse spray
Projection B	B 370
Color code	chromeline
Installation type	Pillar installation
Faucet_typ	Lever mixer
Dimension Height	1300
Acoustic group	II
Spray outlet: Acoustic group	I
Projection A	A 300 / A 400
Connection measure	153
Dimension Water outlet	477/580
material	Brass

