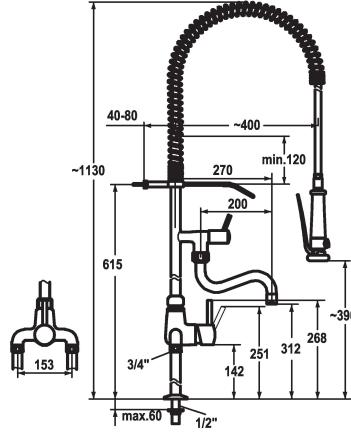


KWC GASTRO Lever mixer - Commercial kitchen

Modell-Linie: GASTRO | 24.503.114.000
Taps | Manual taps



KWC-No.

121294
chromeline, AD 153, A 200, B 270

- * Lever mixer
- * Suspension spring
- * TouchProtect - anti-scald protection thanks to the "double skin" principle
- * Intrinsicly safe against backflow
- * Swivel spout
 - with adjustable gland
 - Jet regulator
- * Pre-rinse spray
 - with integrated delayed closing device to minimize water hammer
 - with valve maintenance unit for cleaning and swivelling sieve jet

Projection_A

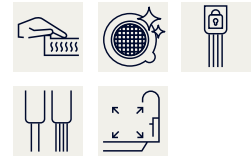
A 270 / A400

- SprayClean - easy to clean and actively prevents limescale buildup
- SprayLock - lockable jet spray
- PowerClean - needle spray mode
- * OptimalSpace - ample space for washing or working
- * KWC cartridge XL 46 - high capacity
 - with ceramic discs
 - flow rate and temperature continuously variable
 - temperature limitation
- * Pillar connections 1/2" x 3/4" L 130
- * Mounting hole size ø22 mm

Technical Data

Flow rate	34 l/min (3 bar)
Spray: Flow rate	15 l/min (3 bar)
Spout	fixed
Wall_bracket	with wall bracket
Kitchen_spray	Pre-rinse spray
Projection B	B 270
Color_code	chrome
Installation_type	Pillar installation
Faucet_typ	Lever mixer
Dimension Height	1130
G_Acoustic group	II
G_Acoustic group_Shower_outlet	I
Projection_A	A 270 / A400
Connection measure	153
Dimension Water outlet	312/390
material	Brass

Flow rate	34 l/min (3 bar)
Spray: Flow rate	15 l/min (3 bar)
Spout	fixed
Wall_bracket	with wall bracket
Kitchen_spray	Pre-rinse spray
Projection B	B 270
Color_code	chrome
Installation_type	Pillar installation
Faucet_typ	Lever mixer
Dimension Height	1130
G_Acoustic group	II
G_Acoustic group_Shower_outlet	I
Projection_A	A 270 / A400
Connection measure	153
Dimension Water outlet	312/390
material	Brass



Spare Parts

KWC GASTRO

Lever mixer - Commercial kitchen

Modell-Linie: GASTRO | 24.503.114.000
Taps | Manual taps



GASTRO Shower hose for pre-rinse spray

535469
Z.502.844.700

GASTRO Pre-rinse spray

539030
Z.539.030.145
