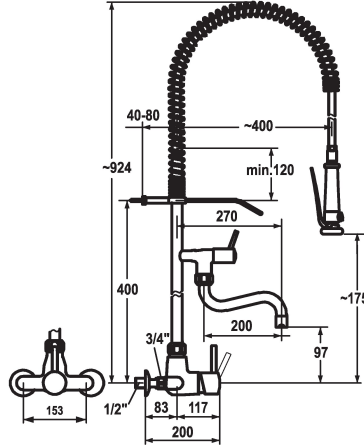
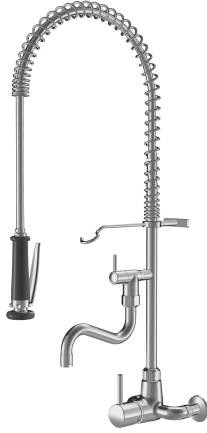


## KWC GASTRO Lever mixer - Commercial kitchen

Modell-Linie: GASTRO | 24.502.164.000  
Taps | Manual taps



### KWC-No.

**121281**  
chromeline, AD 153 +/- 8 mm, A 200, B 270

**121284**  
chromeline, AD 153 +/- 8 mm, A 300, B 370

### Projection\_A

A 200 / A 400

A 300

- \* Lever mixer
- \* Suspension spring
- \* TouchProtect - anti-scald protection thanks to the "double skin" principle
- \* Intrinsicly safe against backflow
- \* Swivel spout 160°
- with adjustable gland
- Jet regulator
- \* Pre-rinse spray
- with integrated delayed closing device to minimize water hammer
- with valve maintenance unit for cleaning and swivelling sieve jet

- SprayClean - easy to clean and actively prevents limescale buildup
- SprayLock - lockable jet spray
- PowerClean - needle spray mode
- \* OptimalSpace - ample space for washing or working
- \* KWC cartridge XL 46 - high capacity
- with ceramic discs
- flow rate and temperature continuously variable
- temperature limitation
- \* Wall connections 1/2" x 3/4", with shut-off valve L 40 eccentric 4 mm

### Technical Data

Flow rate	39 l/min (3 bar)
Spray: Flow rate	15 l/min (3 bar)
Spout	fixed
Wall_bracket	with wall bracket
Kitchen_spray	Pre-rinse spray
Projection B	B 270
Color code	chrome
Installation_type	Wall mounted
Faucet_typ	Lever mixer
Dimension Height	924
G_Acoustic_group	II
G_Acoustic_group_Shower_outlet	I
Projection_A	A 200 / A 400
Connection measure	153+/-8
Dimension Water outlet	97/175
material	Brass

Flow rate	39 l/min (3 bar)
Spray: Flow rate	15 l/min (3 bar)
Spout	fixed
Wall_bracket	with wall bracket
Kitchen_spray	Pre-rinse spray
Projection B	B 270
Color code	chrome
Installation_type	Wall mounted
Faucet_typ	Lever mixer
Dimension Height	924
G_Acoustic_group	II
G_Acoustic_group_Shower_outlet	I
Projection_A	A 200 / A 400
Connection measure	153+/-8
Dimension Water outlet	97/175
material	Brass

