



KWC

KWC
AVA E



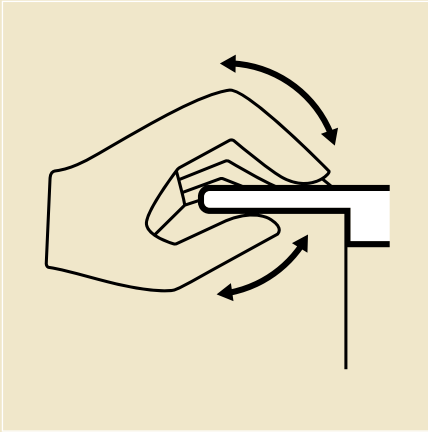
PURE ELEGANCE FOR THE BATHROOM

Elemental joy for architectural devotees: the refined round and square designs ensure that the award-winning faucets integrate seamlessly into their surroundings, the puristic design vocabulary complemented by the stainless-steel materials. This creates a harmonious counterpoint between the sleek silhouette and its practical nature, its matte finish gently reflecting the tones of its surroundings.



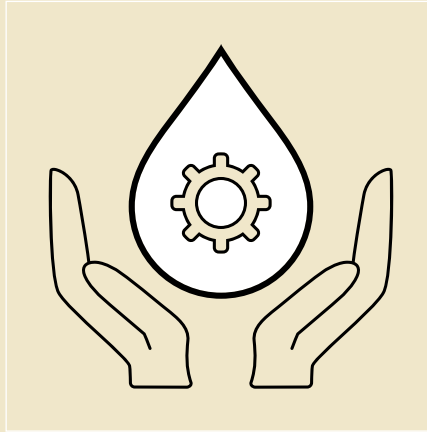
KWC AVA E not only makes the bathroom more beautiful, but heightens the pleasure of being in it: using the lever becomes a daily source of luxury and tactile joy. The stainless-steel finish is easy to clean, durable, scratch- and abrasion-resistant, and hygienic.

KWC +



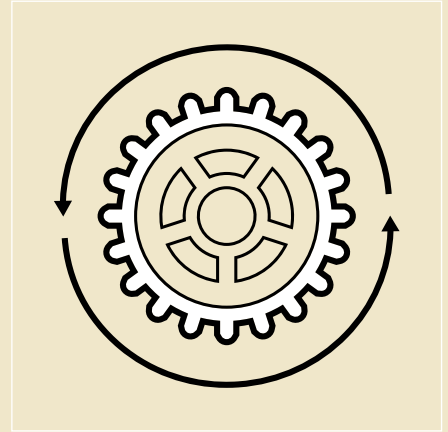
UniqueLever

Innovative lever designs that allow for natural and intuitive use: UniqueLever features innovative KWC design – elegance and precision that you can not only see, but also feel every day.



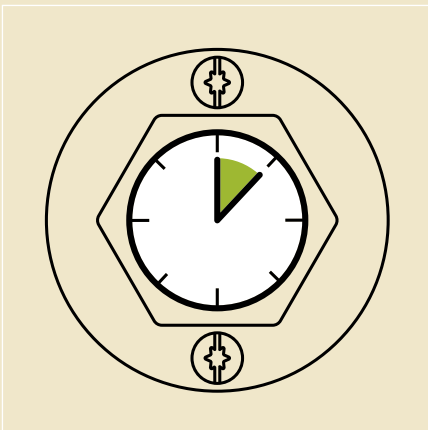
HealthProtect

Better hygiene and unchanged water quality: HealthProtect highlights the strict standards we set ourselves to ensure that our faucets do not affect the taste and smell of your water – that is why we use high-quality materials (metals, plastics) that are ideally suited for contact with water.



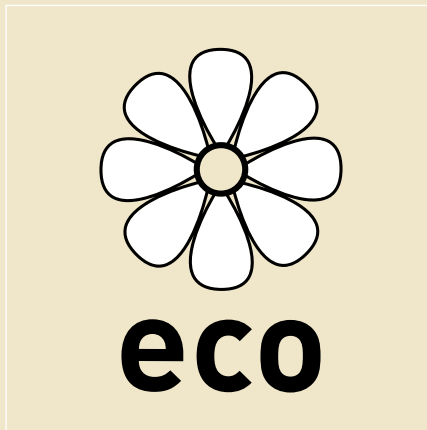
PrecisionMove

Exceptional elegance and precision: PrecisionMove allows for seamless movements and exceptional convenience thanks to our consistent use of top-quality materials and superior craftsmanship.



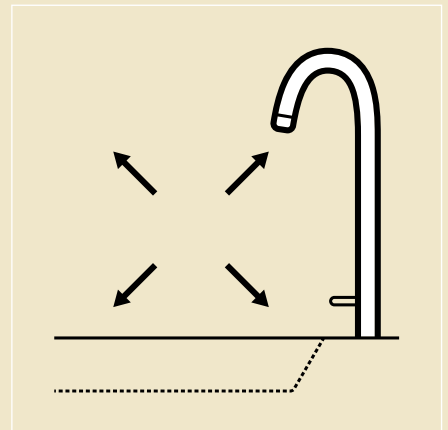
QuickInstallation

Hassle-free positioning and fastening of the threaded connection for quick and easy installation: the locking nut is screwed into place by hand to hold the faucet in position using QuickInstallation, before it is fixed in place via the two locking screws.



EcoProtect

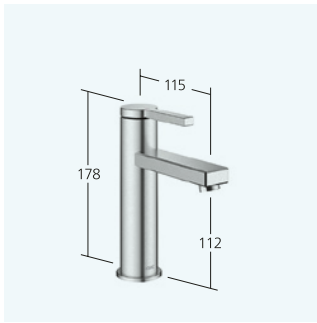
For economical water consumption and responsible use of resources: EcoProtect represents our commitment to promoting a sustainable lifestyle.



OptimalSpace

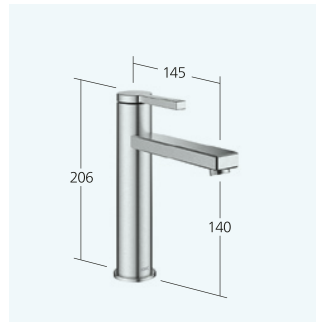
Practical yet elegant ergonomic design: OptimalSpace features long, tall spouts that provide ample space for washing and or working.





- Basin**
 Lever mixer
 – EcoProtect - water-saving device
 – Fixed spout
 – Neoperl® Perlator® SSR, swivelling jet regulator
 – flow rate and temperature continuously variable
 – QuickInstallation - Fastening via threaded connection with locking screws

12.451.641.700FL
 stainless steel A 115
 with Push Open 2 in 1
12.451.051.700FL
 stainless steel A 115
 without pop-up valve



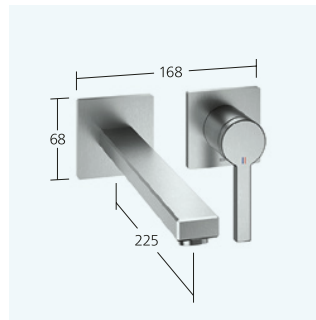
- Basin**
 Lever mixer
 – EcoProtect - water-saving device
 – Fixed spout
 – Neoperl® Perlator® SSR, swivelling jet regulator
 – OptimalSpace - ample space for washing or working
 – flow rate and temperature continuously variable
 – QuickInstallation - Fastening via threaded connection with locking screws

12.451.642.700FL
 stainless steel A 145
 mit Push Open 2 in 1
12.451.052.700FL
 stainless steel A 145
 without pop-up valve



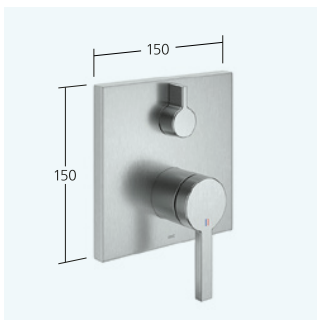
- Basin**
 Lever mixer
 – For top-mounted basins
 – EcoProtect - water-saving device
 – Fixed spout
 – Neoperl® Perlator® SSR, swivelling jet regulator
 – OptimalSpace - ample space for washing or working
 – flow rate and temperature continuously variable
 – QuickInstallation - Fastening via threaded connection with locking screws

12.451.093.700FL
 stainless steel A 195
 without pop-up valve



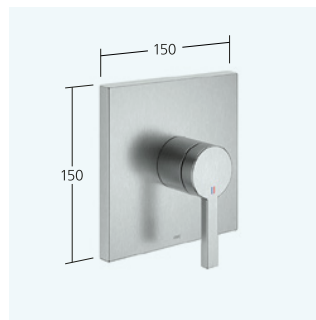
- Basin**
 Lever mixer, Trim kit
 – EcoProtect - water-saving device
 – Fixed spout
 – Neoperl® Perlator® SSR, swivelling jet regulator
 – OptimalSpace - ample space for washing or working
 – flow rate and temperature continuously variable
 – To be ordered separately:
 – Unit for concealed installation ½" 39.001.400.700

11.452.064.700
 stainless steel A 225



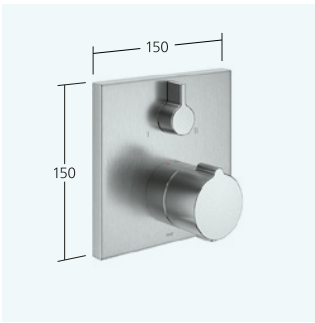
- Tub**
 Trim kit with function unit
 – Outflow top and below
 – Turning handle for diverter
 – flow rate and temperature continuously variable
 – Scope of delivery:
 – Function unit, lever, cap, sleeve, cover plate, diverter, holder for escutcheon
 – Fastening of the cover plate without screws
 – To be ordered separately:
 – Unit for concealed installation KWC BLUEBOX®
 – ½", without shut-off valve, 39.999.900.931
 – ¾", with shut-off valve, 39.999.930.931
 – ¾" (½"), with shut-off valve, 39.999.910.931

20.454.500.177 brushed steel
20.454.510.177 brushed steel with DIN EN 1717 safety device

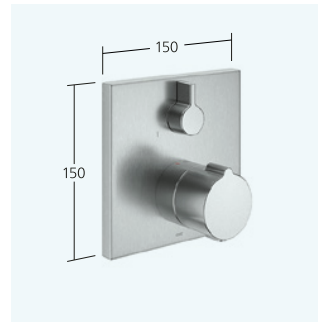


- Shower**
 Trim kit with function unit
 – Outflow top or below
 – flow rate and temperature continuously variable
 – Scope of delivery:
 – Function unit, lever, cap, sleeve, cover plate, holder for escutcheon
 – Fastening of the cover plate without screws
 – To be ordered separately:
 – Unit for concealed installation KWC BLUEBOX®
 – ½", without shut-off valve, 39.999.900.931
 – ¾", with shut-off valve, 39.999.930.931
 – ¾" (½"), with shut-off valve, 39.999.910.931

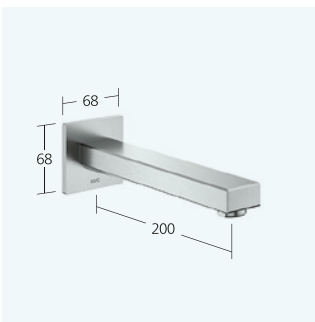
21.454.500.177 brushed steel

**Tub**

- Trim kit with thermostatic function unit design
- Outflow top and below
 - SkinProtect - Safety stop prevents scalding
 - Turning handle to control flow and for diverter
 - Intrinsicly safe against backflow
 - Scope of delivery:
 - Function unit, temperature lever, sleeve, cover plate, holder for escutcheon handle to control flow and for diverter
 - Fastening of the cover plate without screws
 - To be ordered separately:
 - Unit for concealed installation KWC BLUEBOX®
 - ½", without shut-off valve, 39.999.900.931
 - ¾", with shut-off valve, 39.999.930.931
 - ¾" (½"), with shut-off valve, 39.999.910.931

20.004.801.177 brushed steel**20.004.811.177** brushed steel with DIN EN 1717 safety device**Shower**

- Trim kit with thermostatic function unit design
- Outflow top or below
 - SkinProtect - Safety stop prevents scalding
 - Turning handle to control flow
 - Intrinsicly safe against backflow
 - Scope of delivery:
 - Function unit, temperature lever, sleeve, cover plate, holder for escutcheon handle to control flow
 - Fastening of the cover plate without screws
 - To be ordered separately:
 - Unit for concealed installation KWC BLUEBOX®
 - ½", without shut-off valve, 39.999.900.931
 - ¾", with shut-off valve, 39.999.930.931
 - ¾" (½"), with shut-off valve, 39.999.910.931

21.004.801.177 brushed steel**Bathtub spout**

- Fixed spout
- Neoperl® Perlator® SSR, swivelling jet regulator
- Connecting thread ½"

26.458.033.700

stainless steel

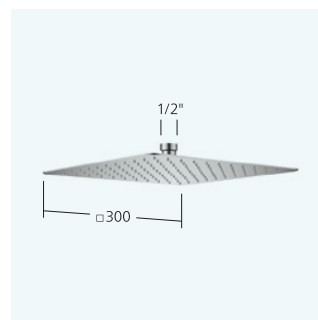
A 200

**KWC pop-up valve Push Open**

- 2 in 1 function
- press to open and close
- can be locked in the open position
- For washstands with or without an overflow

Z.538.321.177 brushed steel**Shower arm**

- with escutcheon
- suitable for all KWC shower heads (since 2019)
- Connecting thread ½"

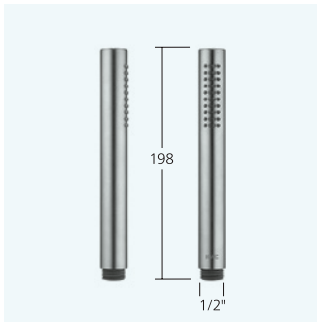
26.000.803.177 brushed steel L 352**Shower head KWC PIATTO-X Q**

- Made of stainless steel
- With ball joint
- Cleaning-friendly faceplate
- spajet
- Connecting thread ½"
- To be ordered separately:
 - Bracket

26.000.205.700

stainless steel

300×300



Hand shower KWC FIT-X slim

- Made of stainless steel
- TouchProtect - anti-scald protection thanks to the "double skin" principle
- Cleaning-friendly faceplate
- fitjet
- Connecting thread 1/2"

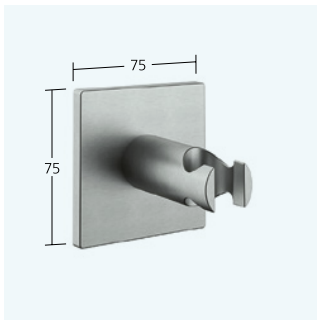
26.000.103.700 stainless steel



Shower hose

- secure against twisting: rotatable (long) cone
- Made of plastic
- Connecting thread 1/2"

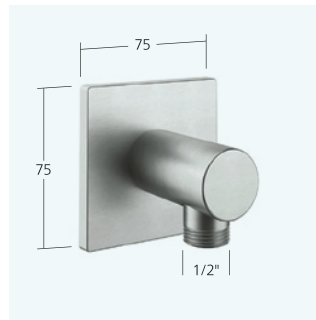
26.001.033.177 brushed steel



Shower bracket

- Non-adjustable
- Suitable for:
 - All hand showers

26.000.620.177 brushed steel



Hose connection

- Intrinsically safe against backflow
- Connecting thread 1/2"

26.000.611.177 brushed steel



Sliding wall bar KWC FIT

- KWC ball joint bracket, elevation adjustment lockable
- Tube diameter 18 mm

K.26.99.02.177 brushed steel L 1100







